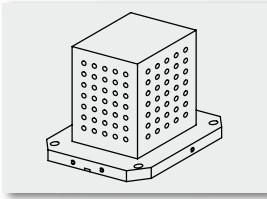
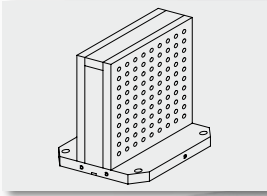


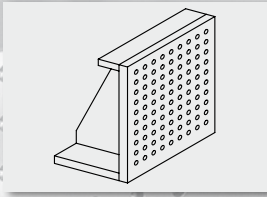
Tombstones



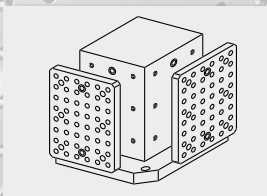
TOMBSTONES
pag. 1. 6



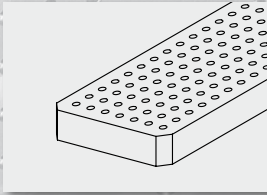
CRANKWEBS
pag. 1. 19



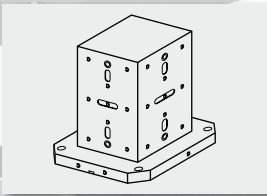
ANGLE PLATES
pag. 1. 25



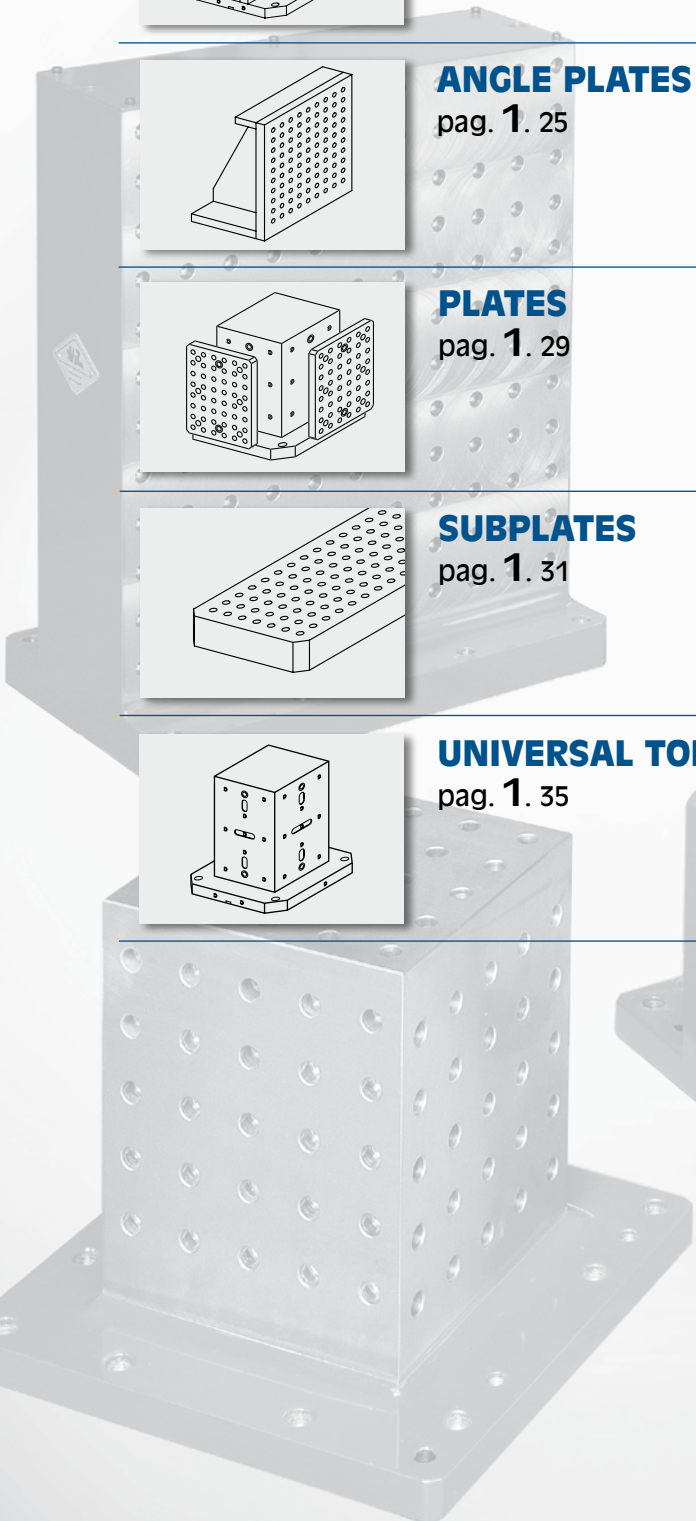
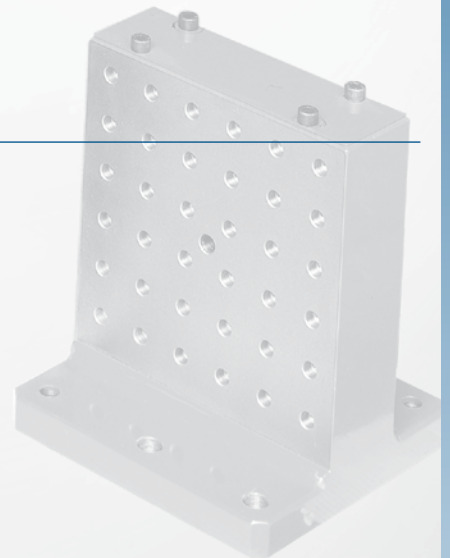
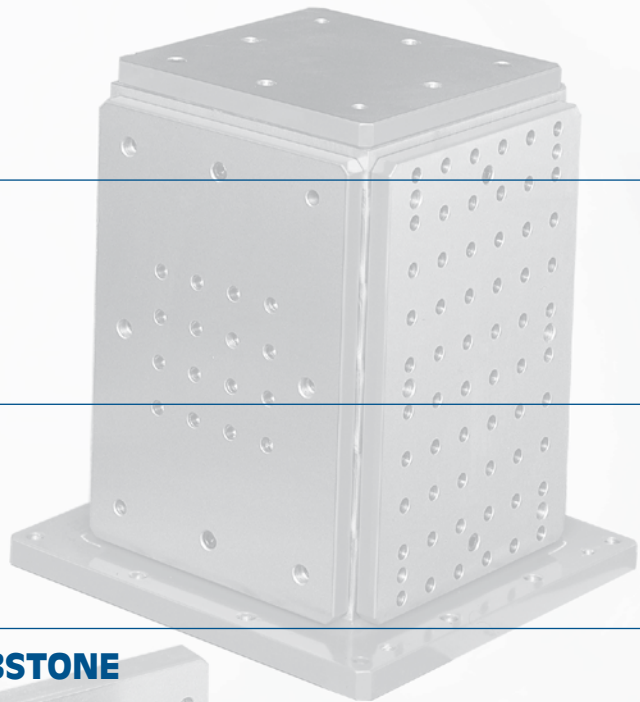
PLATES
pag. 1. 29



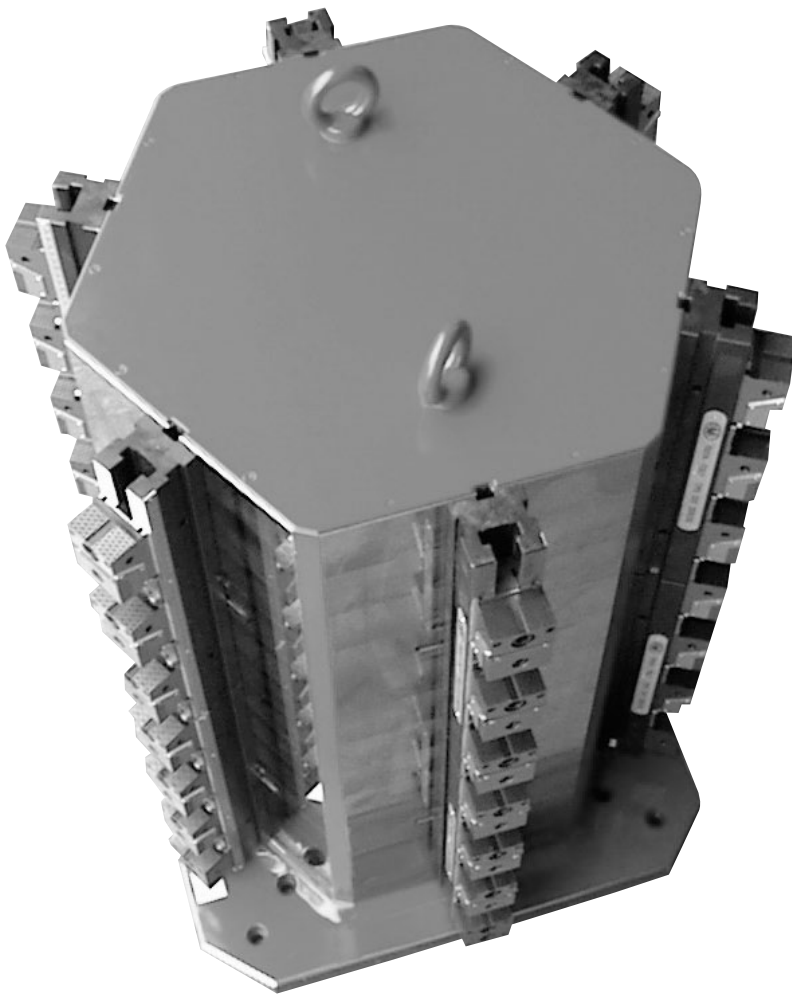
SUBPLATES
pag. 1. 31



UNIVERSAL TOMBSTONE
pag. 1. 35



The tombstones are...



Milling and finish machining of the steel and aluminium tombstones are completed with high precision machines using the highest quality tools available. This assure the highest accuracy possible and outstanding dimensional repeatability. All tombstones are quality controlled using a coordinate measuring machine.

STEEL

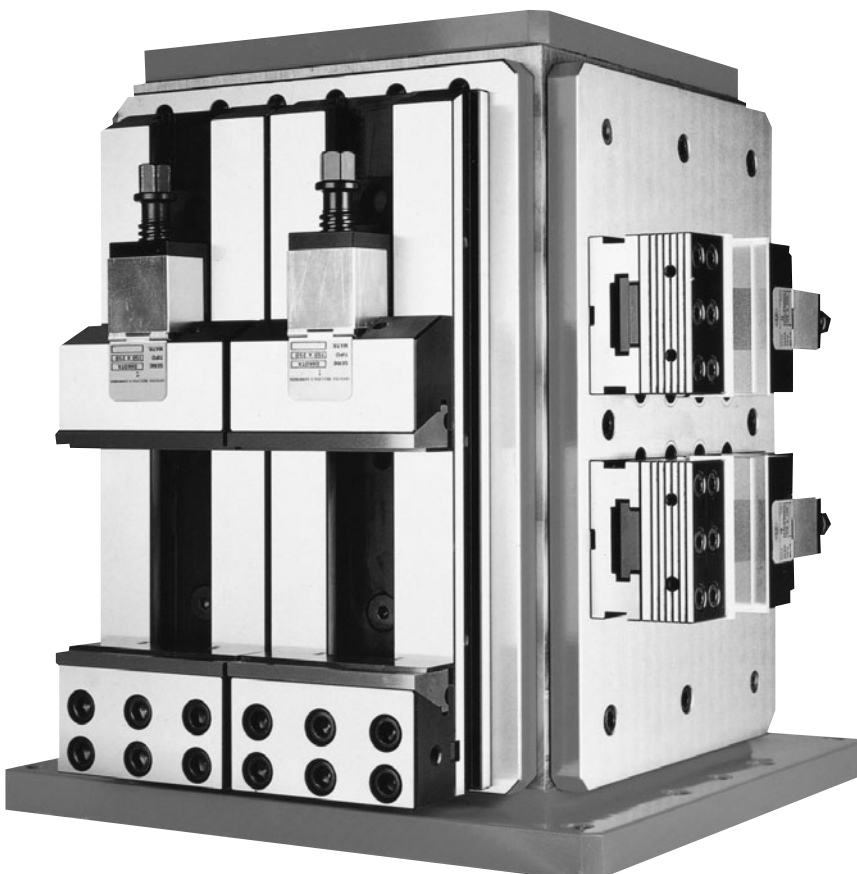
The steel tombstones are manufactured from high resistance steel plate (50/55,5 kg.mm²). After welding, the steel is allowed a normalization period (800 degrees) in order to eliminate the inner stress. After the milling and finish machining, the tombstones are painted and dried in an oven at 60 degrees

ALUMINIUM

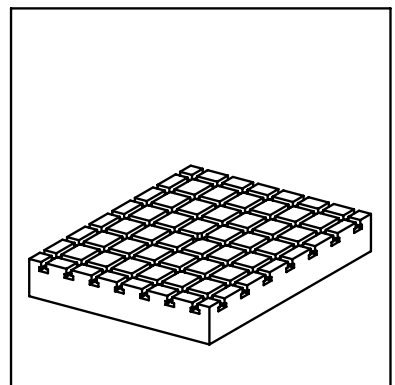
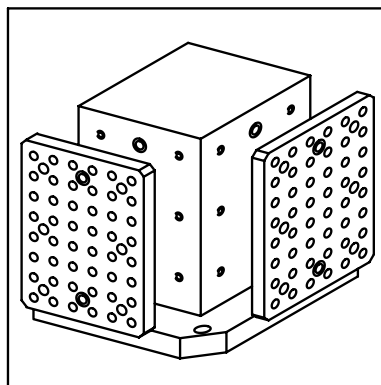
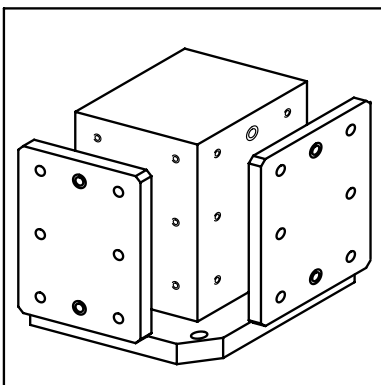
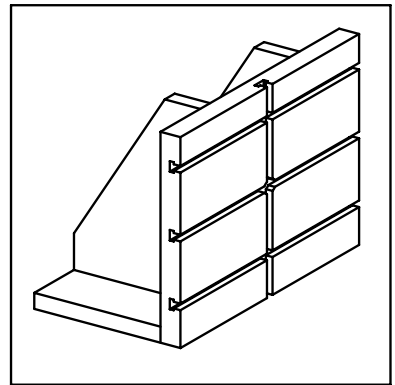
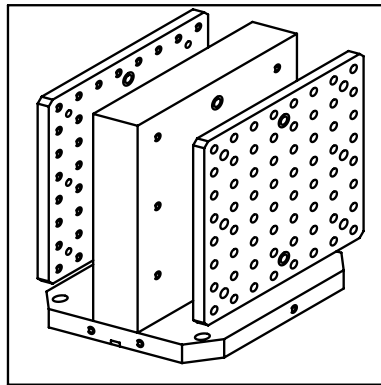
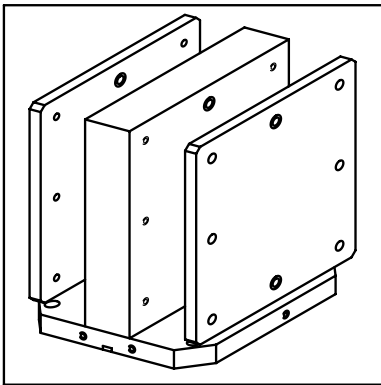
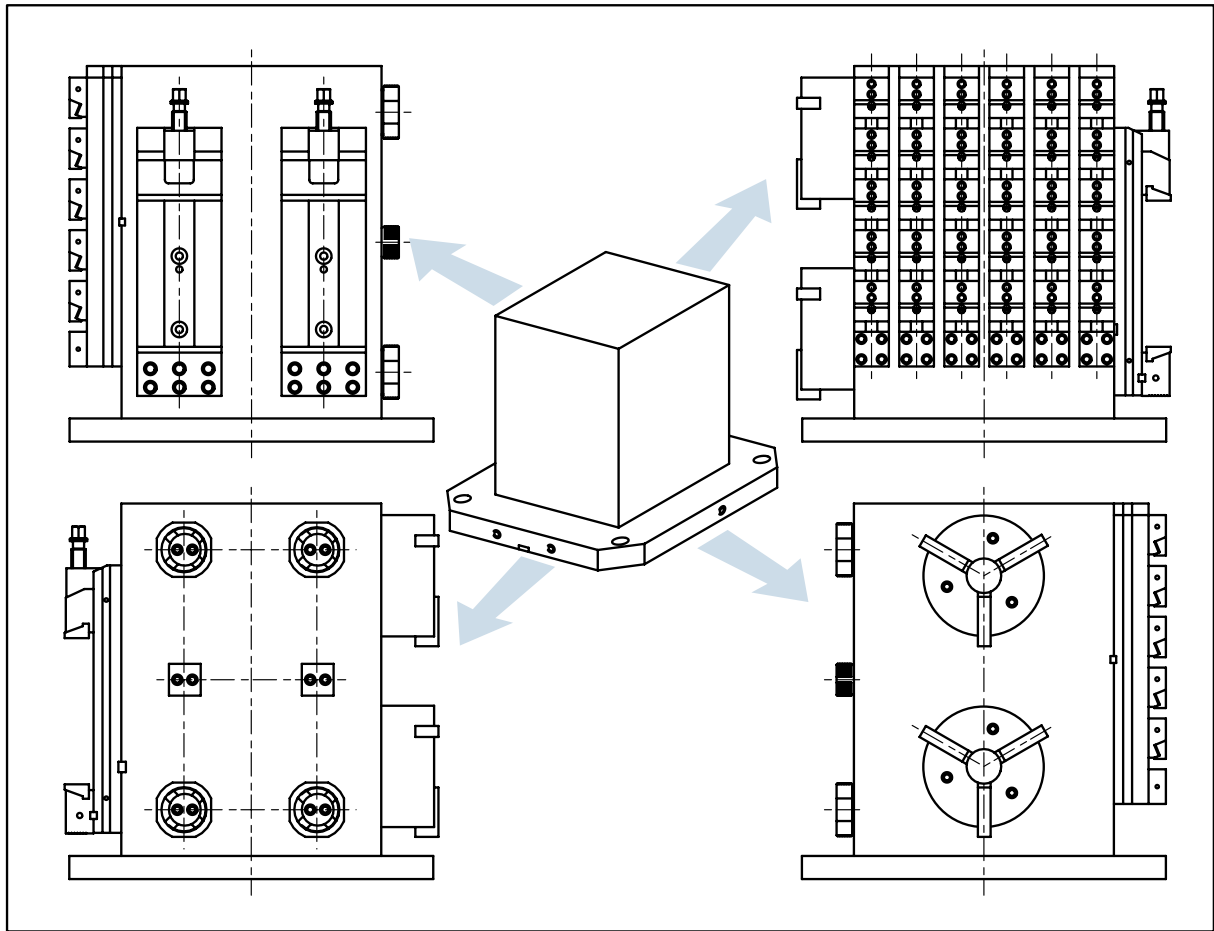
The aluminium version tombstones are casted using the latest generation materials (AlCu4TiMgKa) maintaining a high resistance (HB 90-115). After the milling and finish machining, the tombstones are anodized (type EN 12373/1 ex UNI 4522-66) in order to avoid the wear and tear of the surfaces.

CAST IRON

Type UNI EN 1561 GJL
normalized at 500/550° C
High resistance HB 180-220

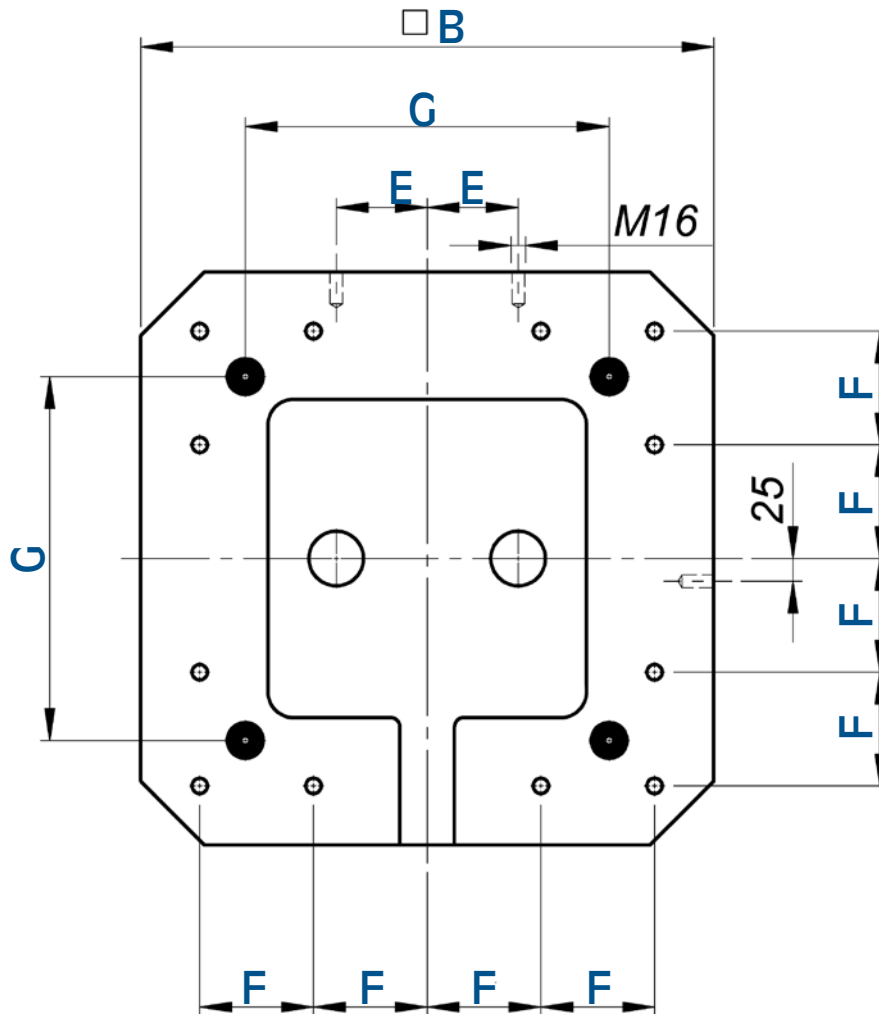


The advantages of modularity



Standard adaptation for machine tools pallet

Our products (tombstones, crankwebs) are supplied standard with the base machined to the table of the machine tool as follows.

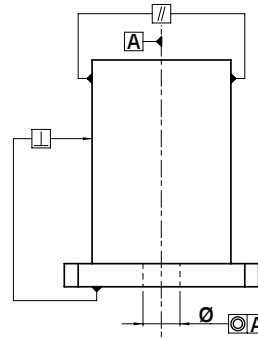


B mm	E mm	F mm	G mm
400	55	80	250
500	75	100	300
630	100	125	420

- Special features upon request

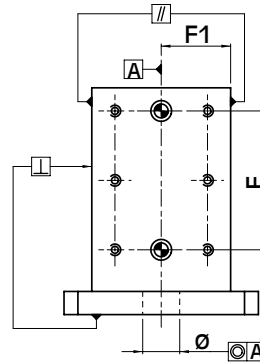
Manufacturing tolerances

Tombstones only milled finished



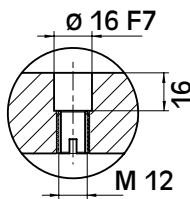
\perp	0,02 / 500 mm 0,035 / 1000 mm
//	0,03 / 500 mm 0,05 / 1000 mm
◎	0,02 / 500 mm 0,035 / 1000 mm

Tombstones for plates

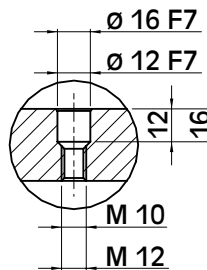


\perp	0,02 / 500 mm 0,035 / 1000 mm
//	0,03 / 500 mm 0,05 / 1000 mm
◎	0,02 / 500 mm 0,035 / 1000 mm
F=	0 : 300 mm ± 0.02 0 : 500 mm ± 0.03 0 : 700 mm ± 0.04
F1=	0 : 500 mm ± 0.015 0 : 1000 mm ± 0.025

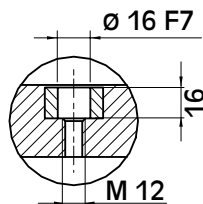
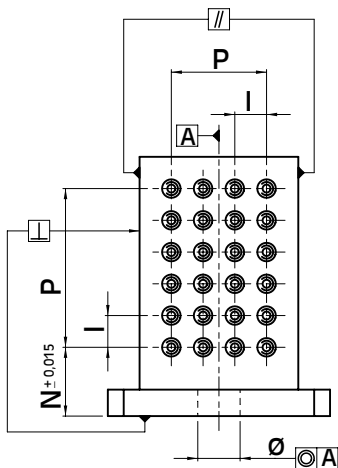
Tombstones with grid



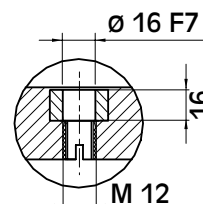
Standard for CAST IRON



Standard for STEEL and ALUMINIUM



Special upon request only for ALUMINIUM



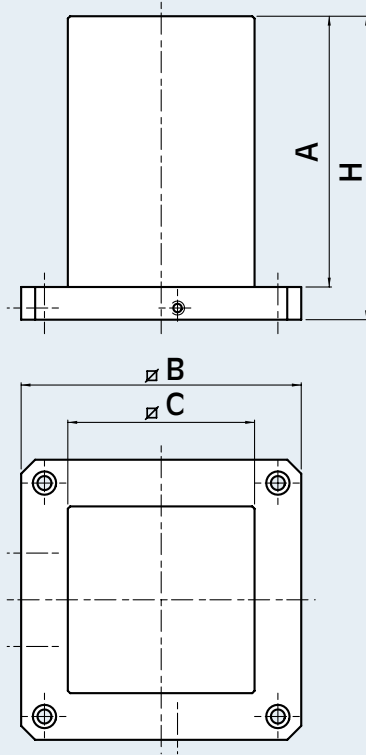
Special upon request only for CAST IRON

\perp	0,02 / 500 mm 0,035 / 1000 mm
//	0,03 / 500 mm 0,05 / 1000 mm
◎	0,02 / 500 mm 0,035 / 1000 mm
i=	40 - 50 mm ± 0.01
P=	0 : 300 mm ± 0.02 0 : 500 mm ± 0.03 0 : 700 mm ± 0.04 0 : 1000 mm ± 0.05

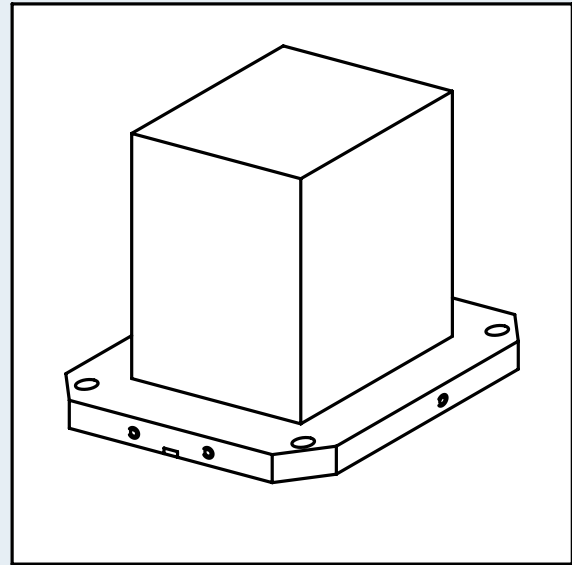
- the following tolerances are the same for all the products

TOMBSTONES

tombstones milled



- 5th face upon request
- special tombstones upon request



STEEL

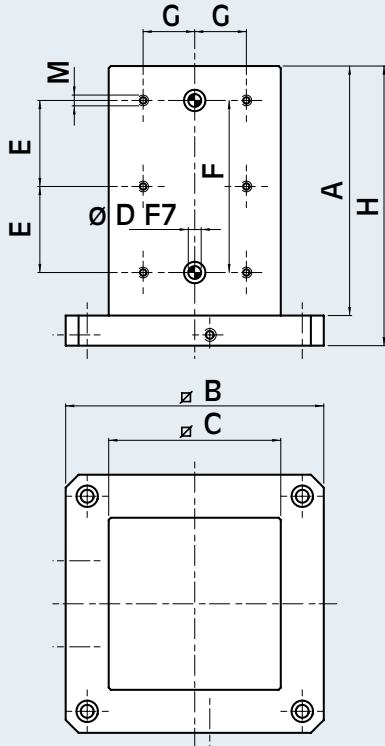
ROUGH Cod.	FINISHED Cod.	A mm	B mm	C mm	H mm	Weight kg
57 00 60 06	57 00 60 05	415	300	160	455	81
57 00 60 16	57 00 60 15	415	320	200	455	103
57 00 60 31	57 00 60 30	415	400	250	455	156
57 00 60 36	57 00 60 35	620	400	250	660	205
57 00 60 51	57 00 60 50	515	500	350	555	267
57 00 60 56	57 00 60 55	660	500	350	700	318
57 00 60 61	57 00 60 60	515	630	450	560	385
57 00 60 71	57 00 60 70	615	630	450	660	430
57 00 60 91	57 00 60 90	815	630	450	860	524
57 00 61 11	57 00 61 10	845	800	550	900	730
57 00 61 21	57 00 61 20	945	800	550	1000	795

ALUM.

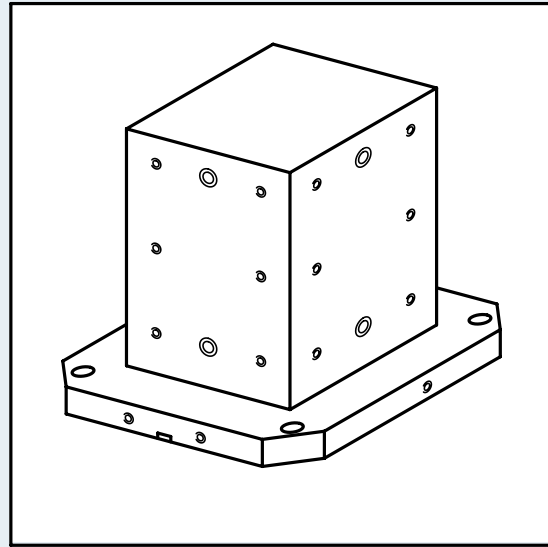
Cod.	A mm	B mm	C mm	H mm	Weight kg
57 30 60 35	620	400	250	660	80
57 30 60 55	660	500	350	700	137
57 30 60 70	615	630	450	660	198
57 30 60 90	815	630	450	860	253

CAST IRON

ROUGH Cod.	FINISHED Cod.	A mm	B mm	C mm	H mm	Weight kg
57 40 60 36	57 40 60 35	615	400	250	660	208
57 40 60 56	57 40 60 55	655	500	350	700	329
57 40 60 91	57 40 60 90	810	630	450	860	607
57 40 61 21	57 40 61 20	945	800	550	1000	808



- 5th face upon request
- special tombstones upon request



STEEL

Cod.	A mm	B mm	C mm	H mm	∅ D mm	M mm	E mm	F mm	G mm	Weight kg
57 02 00 15	415	300	160	455	12	M 10	150	300	40	81
57 02 00 25	415	320	200	455	12	M 10	150	300	60	103
57 02 00 40	415	400	250	455	16	M 12	150	300	75	156
57 02 00 45	620	400	250	660	16	M 12	250	500	75	205
57 02 00 60	515	500	350	555	16	M 12	200	400	125	267
57 02 00 65	660	500	350	700	16	M 12	250	500	125	318
57 02 00 70	515	630	450	560	16	M 12	200	400	175	385
57 02 00 80	615	630	450	660	16	M 12	250	500	175	430
57 02 01 00	815	630	450	860	16	M 12	350	700	175	524
57 02 01 20	845	800	550	900	16	M 12	350	700	225	730
57 02 01 30	945	800	550	1000	16	M 12	400	800	225	795

ALUM.

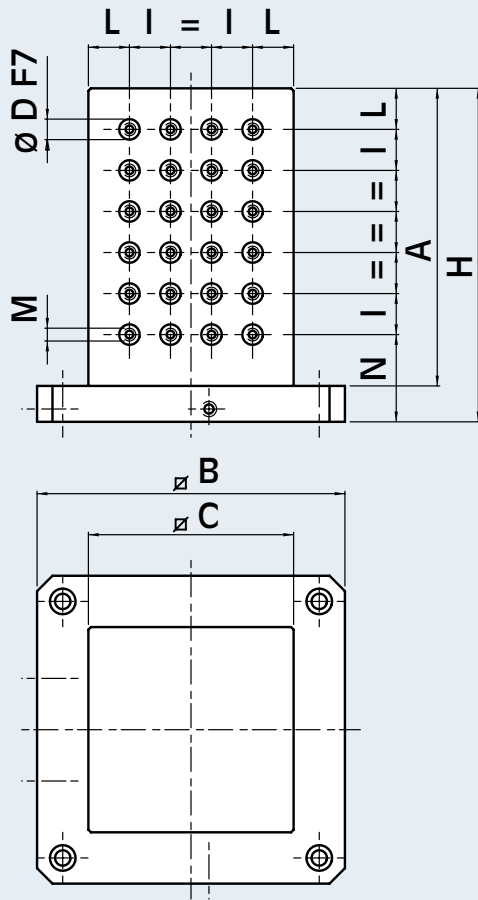
Cod.	A mm	B mm	C mm	H mm	∅ D mm	M mm	E mm	F mm	G mm	Weight kg
57 31 20 45	620	400	250	660	16	M 12	250	500	75	80
57 31 20 65	660	500	350	700	16	M 12	250	500	125	137
57 31 20 80	615	630	450	660	16	M 12	250	500	175	198
57 31 21 00	815	630	450	860	16	M 12	350	700	175	253

CAST IRON

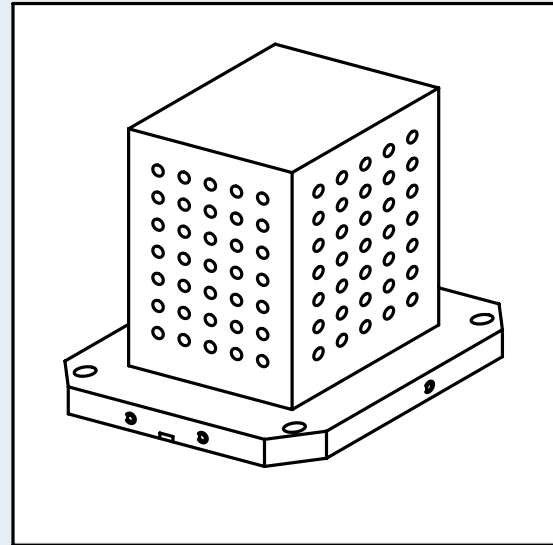
Cod.	A mm	B mm	C mm	H mm	∅ D mm	M mm	E mm	F mm	G mm	Weight kg
57 41 20 45	615	400	250	660	16	M 12	250	500	75	208
57 41 20 65	655	500	350	700	16	M 12	250	500	125	329
57 41 21 00	810	630	450	860	16	M 12	350	700	175	607
57 41 21 30	945	800	550	1000	16	M 12	400	800	225	808

TOMBSTONES

tombstones with grid



- 5th face upon request
- special tombstones upon request



STEEL

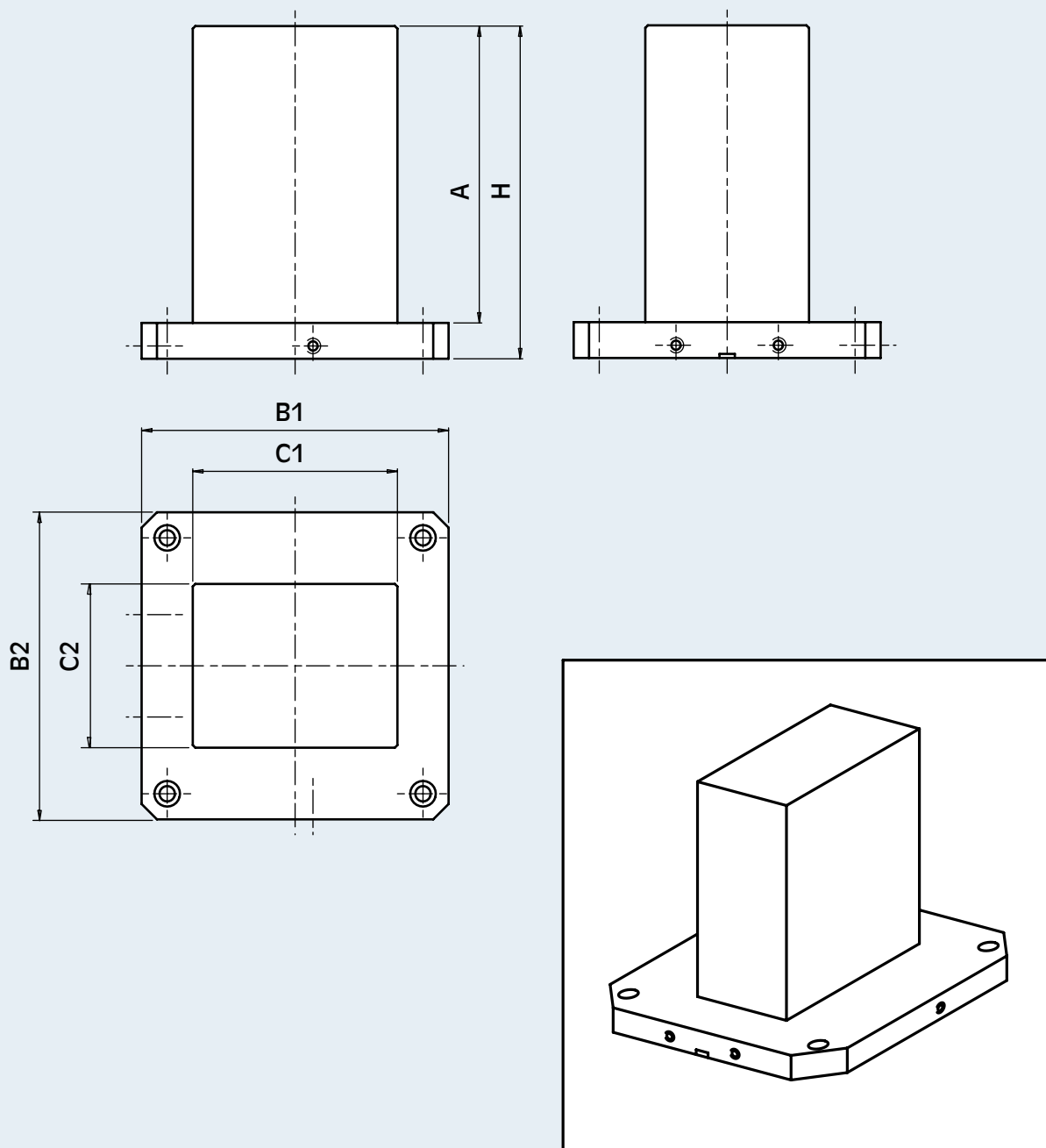
Cod.	A mm	B mm	C mm	H mm	Ø D mm	M mm	I mm	L mm	N mm	Weight kg
57 03 00 15	415	300	160	455	12	M 10	40	40	95	79
57 03 00 25	415	320	200	455	12	M 10	40	40	95	100
57 03 00 40	415	400	250	455	16	M 12	50	50	105	152
57 03 00 45	620	400	250	660	16	M 12	50	50	110	198
57 03 00 60	515	500	350	555	16	M 12	50	50	105	259
57 03 00 65	660	500	350	700	16	M 12	50	50	100	307
57 03 00 70	515	630	450	560	16	M 12	50	50	110	374
57 03 00 80	615	630	450	660	16	M 12	50	50	110	417
57 03 01 00	815	630	450	860	16	M 12	50	50	110	506
57 03 01 20	845	800	550	900	16	M 12	50	50	100	706
57 03 01 30	945	800	550	1000	16	M 12	50	50	100	768

ALUM.

Cod.	A mm	B mm	C mm	H mm	Ø D mm	M mm	I mm	L mm	N mm	Weight kg
57 31 30 45	620	400	250	660	16	M 12	50	50	110	78
57 31 30 65	660	500	350	700	16	M 12	50	50	100	133
57 31 30 80	615	630	450	660	16	M 12	50	50	110	193
57 31 31 00	815	630	450	860	16	M 12	50	50	110	246

CAST IRON

Cod.	A mm	B mm	C mm	H mm	Ø D mm	M mm	I mm	L mm	N mm	Weight kg
57 41 30 45	615	400	250	660	16	M 12	50	50	110	208
57 41 30 65	655	500	350	700	16	M 12	50	50	100	329
57 41 31 00	810	630	450	860	16	M 12	50	50	110	607
57 41 31 30	945	800	550	1000	16	M 12	50	50	100	808



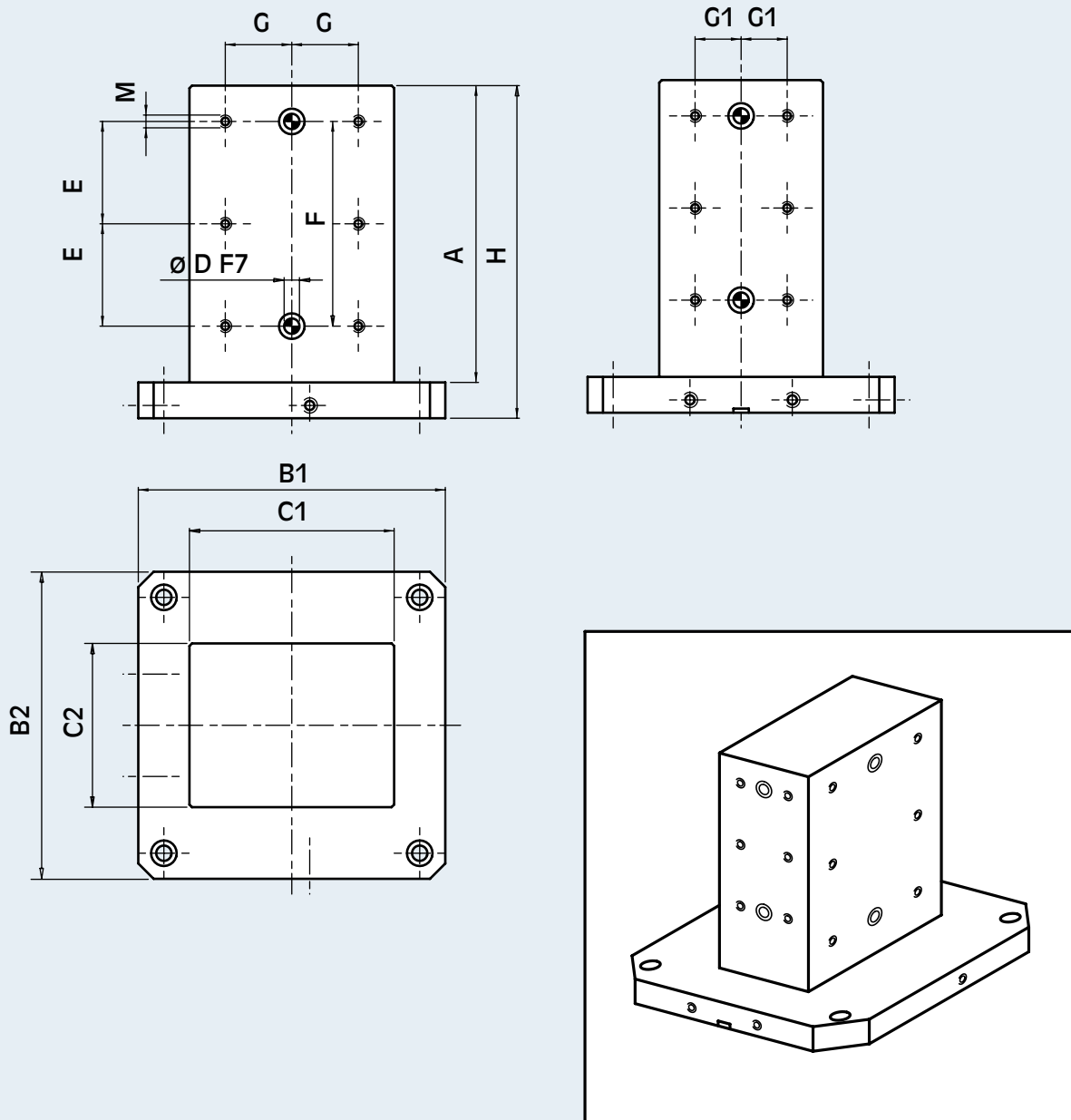
STEEL

Cod.	A mm	B1 mm	B2 mm	C1 mm	C2 mm	H mm	Weight kg
57 00 70 05	615	500	400	350	250	655	250
57 00 70 10	615	500	500	350	250	655	265
57 00 70 25	615	630	500	450	350	660	367
57 00 70 30	615	630	630	450	350	660	395

- 5th face upon request
- special tombstones upon request

TOMBSTONES

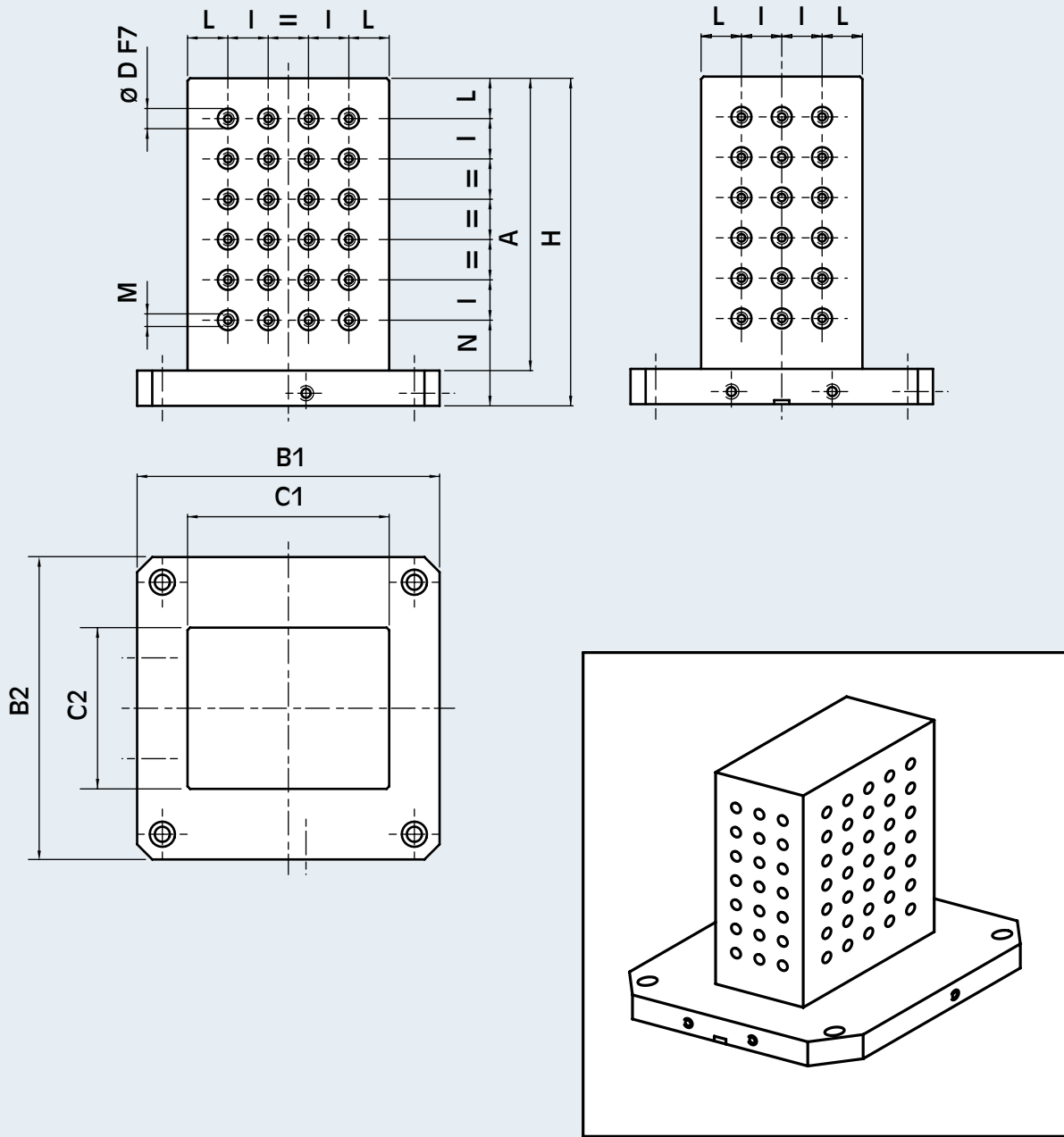
rectangular tombstones
for plates



STEEL

Cod.	A mm	B1 mm	B2 mm	C1 mm	C2 mm	H mm	Ø D mm	M mm	E mm	F mm	G mm	G1 mm	Weight kg
57 07 00 15	615	500	400	350	250	655	16	M 12	250	500	125	75	250
57 07 00 20	615	500	500	350	250	655	16	M 12	250	500	125	75	265
57 07 00 35	615	630	500	450	350	660	16	M 12	250	500	175	125	367
57 07 00 40	615	630	630	450	350	660	16	M 12	250	500	175	125	395

- 5th face upon request
- special tombstones upon request



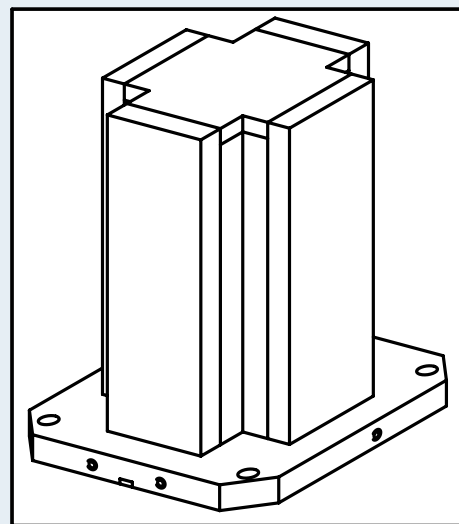
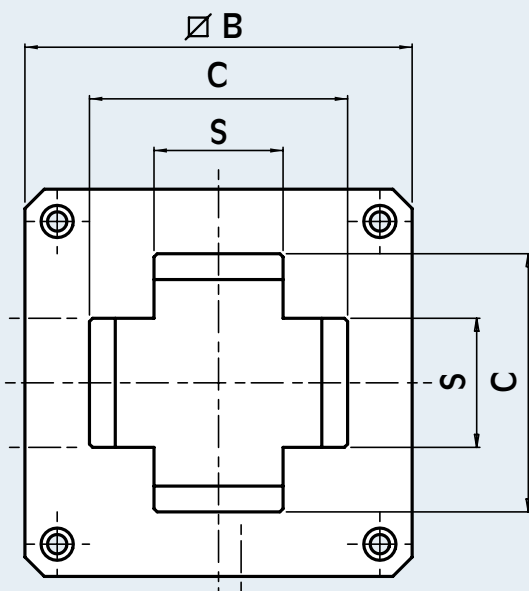
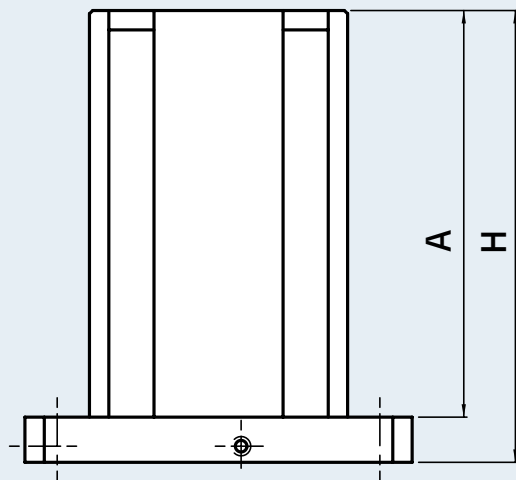
STEEL

Cod.	A mm	B1 mm	B2 mm	C1 mm	C2 mm	H mm	Ø D mm	M mm	I mm	L mm	N mm	Weight kg
57 08 00 15	615	500	400	350	250	655	16	M 12	50	50	105	242
57 08 00 20	615	500	500	350	250	655	16	M 12	50	50	105	257
57 08 00 35	615	630	500	450	350	660	16	M 12	50	50	110	355
57 08 00 40	615	630	630	450	350	660	16	M 12	50	50	110	383

- 5th face upon request
- special tombstones upon request

TOMBSTONES

cross tombstones
only milled



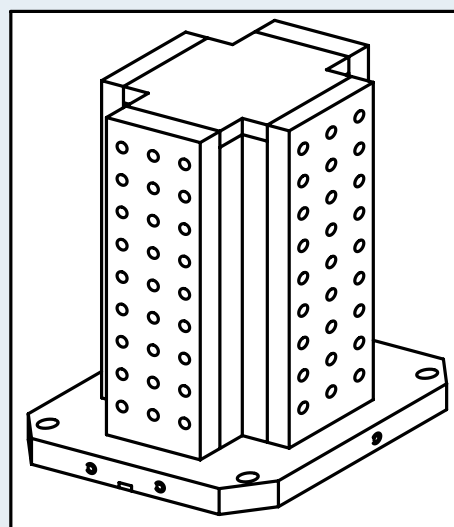
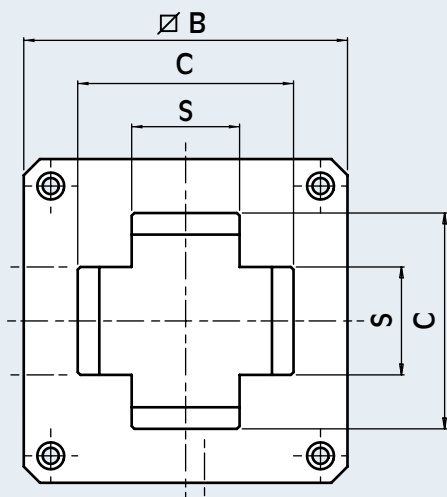
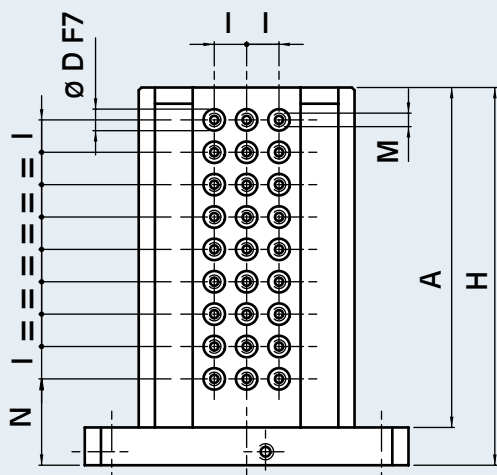
STEEL

Cod.	A mm	B mm	C mm	H mm	S mm	Weight kg
57 06 10 10	540	400	300	580	150	208
57 06 10 15	540	500	300	580	150	236
57 06 10 20	795	630	550	840	150	451
57 06 10 25	625	500	350	670	200	296
57 06 10 30	625	630	350	670	200	356
57 06 10 35	650	400	250	690	100	142
57 06 10 40	650	500	300	690	100	187

ALUMINIUM

Cod.	A mm	B mm	C mm	H mm	S mm	Weight kg
57 31 61 10	540	400	300	580	150	82
57 31 61 15	540	500	300	580	150	92
57 31 61 35	650	400	250	690	100	79
57 31 61 40	650	500	250	690	100	88

- special tombstones upon request



STEEL

Cod.	A mm	B mm	C mm	H mm	Ø D mm	M mm	I mm	N mm	S mm	Weight kg
57 06 00 10	540	400	300	580	16	M 12	50	85	150	208
57 06 00 15	540	500	300	580	16	M 12	50	85	150	236
57 06 00 20	795	630	550	840	16	M 12	50	100	150	451
57 06 00 25	625	500	350	670	16	M 12	50	120	200	296
57 06 00 30	625	630	350	670	16	M 12	50	120	200	356

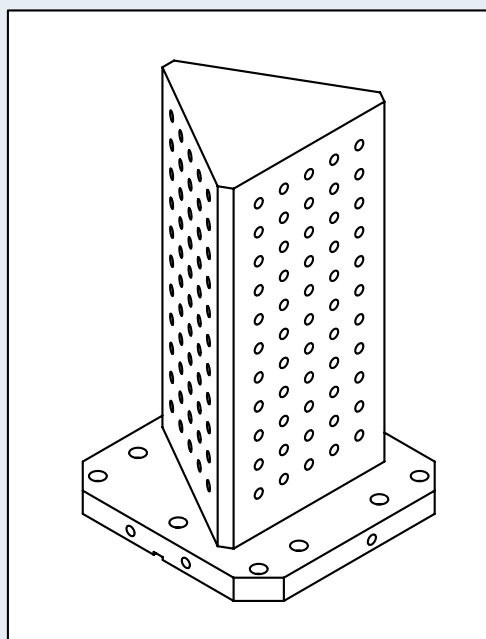
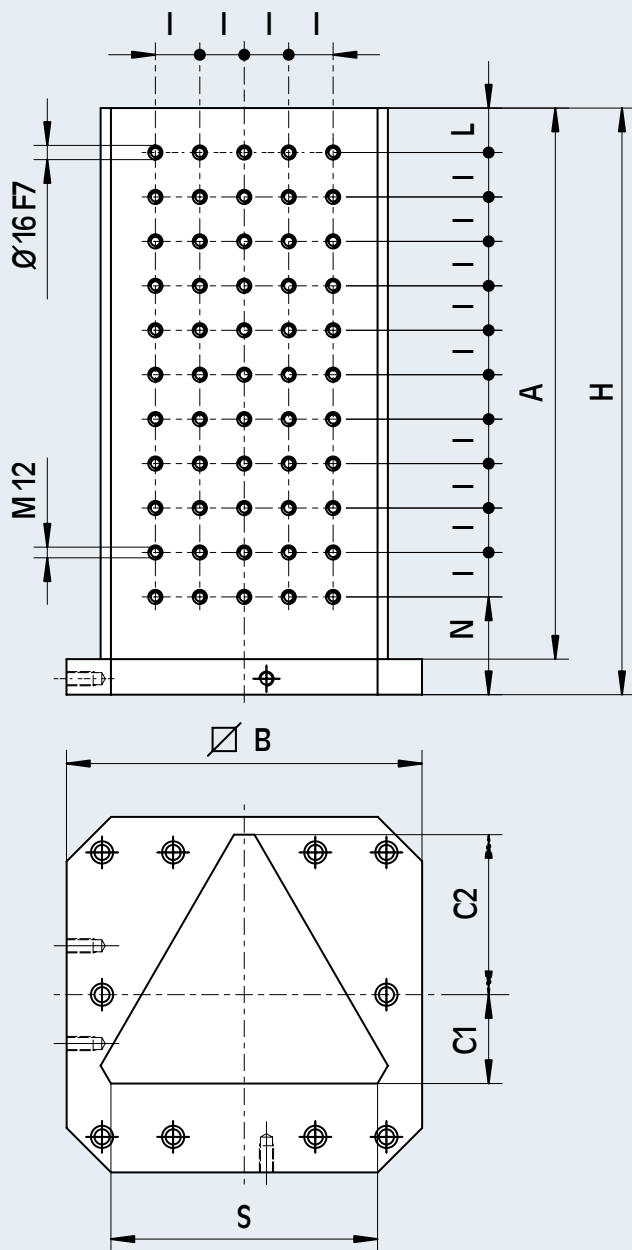
ALUMINIUM

Cod.	A mm	B mm	C mm	H mm	Ø D mm	M mm	I mm	N mm	S mm	Weight kg
57 31 60 10	540	400	300	580	16	M 12	50	85	150	82
57 31 60 15	540	500	300	580	16	M 12	50	85	150	92

- special tombstones upon request

TOMBSTONES

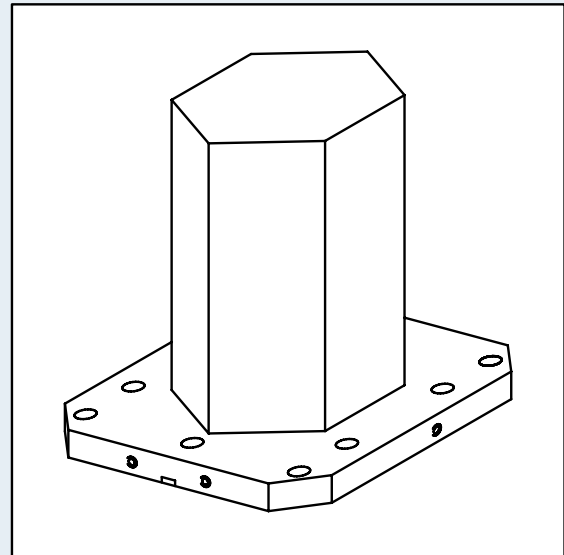
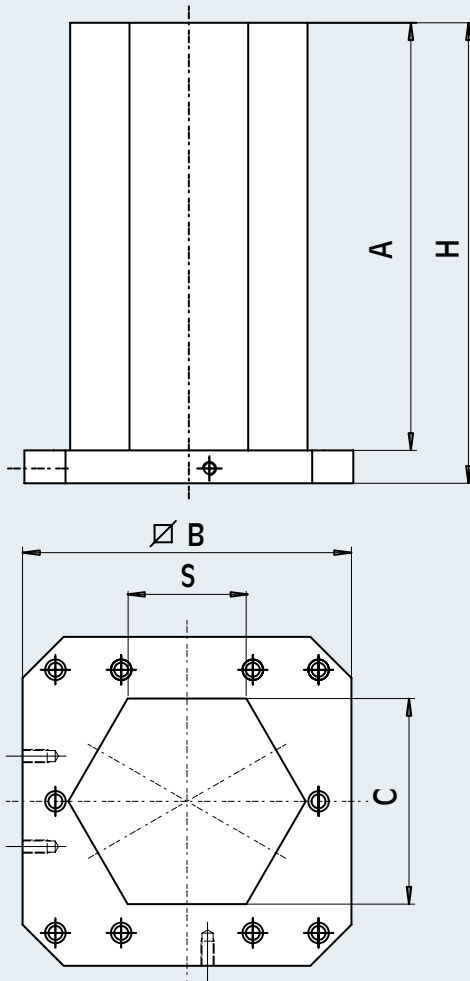
triangular tombstones
with grid



STEEL

Cod.	A mm	B mm	C1 mm	C2 mm	H mm	I mm	L mm	N mm	S mm	Weight kg
57 17 10 10	620	400	100	180	660	50	50	110	300	200
57 17 10 20	620	500	100	180	660	50	50	110	300	227

• special tombstones upon request



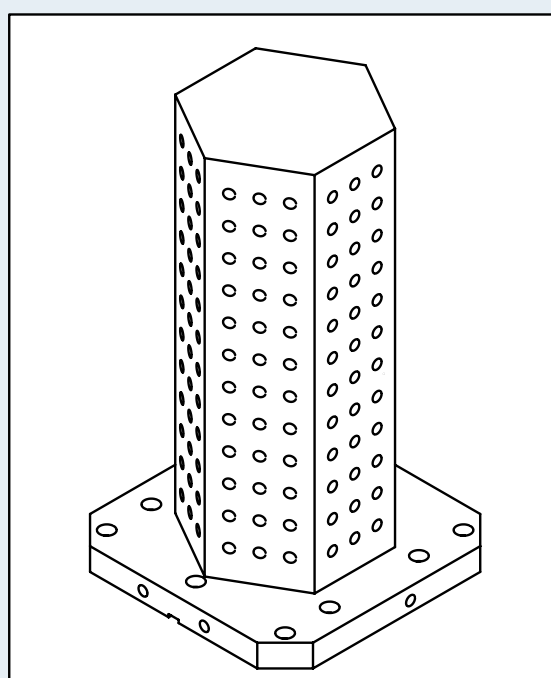
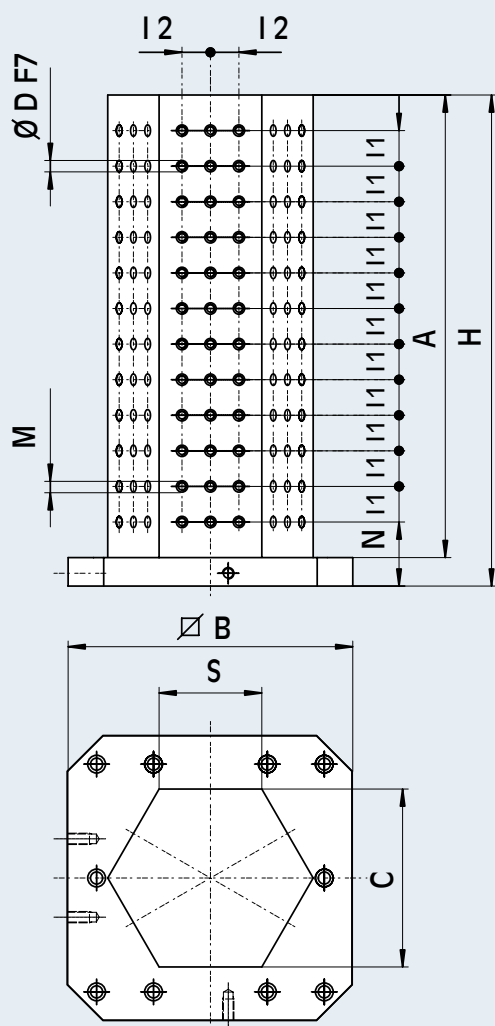
STEEL

Cod.	A mm	B mm	C mm	H mm	S mm	Weight kg
57 00 30 00	650	400	250	690	140	191
57 00 30 10	650	500	250	690	140	220
57 00 30 20	650	630	380	690	215	361

ALUMINIUM

Cod.	A mm	B mm	C mm	H mm	S mm	Weight kg
57 30 30 00	650	400	250	690	140	78
57 30 30 10	650	500	250	690	140	87
57 30 30 20	650	630	380	690	215	140

- special tombstones upon request



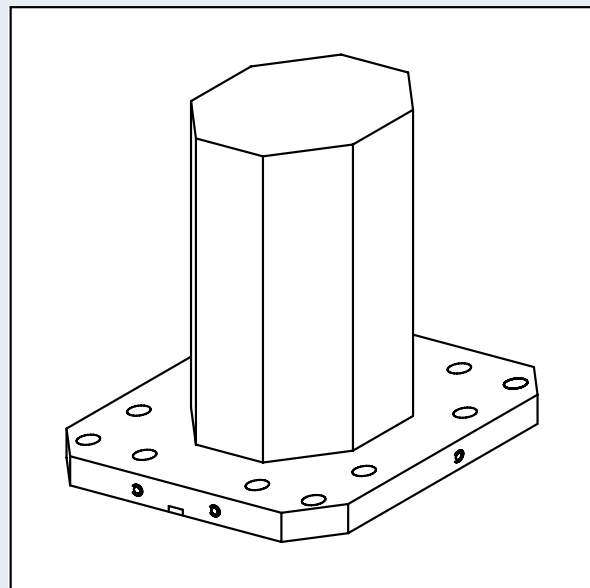
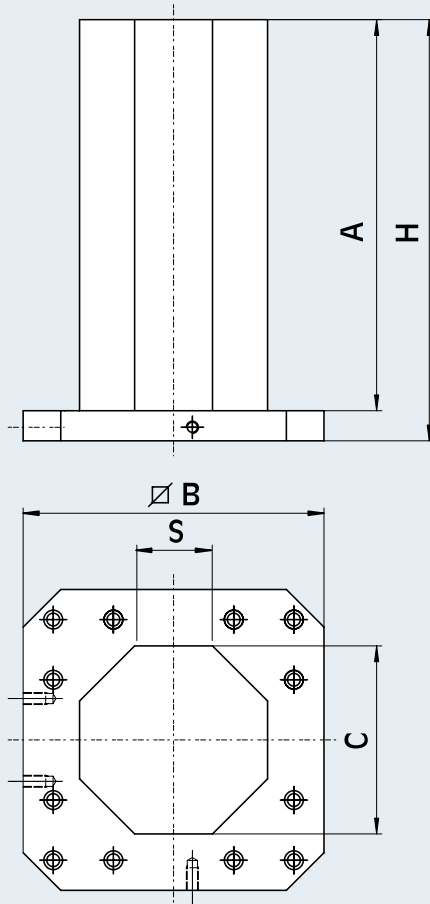
STEEL

Cod.	A mm	B mm	C mm	H mm	Ø D mm	M mm	I 1 mm	I 2 mm	N mm	S mm	Weight kg
57 17 20 10	650	400	250	690	16	M 12	50	40	90	140	182
57 17 20 20	650	500	250	690	16	M 12	50	40	90	140	211
57 17 20 30	650	630	380	690	16	M 12	50	50	90	215	352

ALUMINIUM

Cod.	A mm	B mm	C mm	H mm	Ø D mm	M mm	I 1 mm	I 2 mm	N mm	S mm	Weight kg
57 33 50 10	650	400	250	690	16	M 12	50	40	90	140	75
57 33 50 20	650	500	250	690	16	M 12	50	40	90	140	84
57 33 50 30	650	630	380	690	16	M 12	50	50	90	215	136

- special tombstones upon request



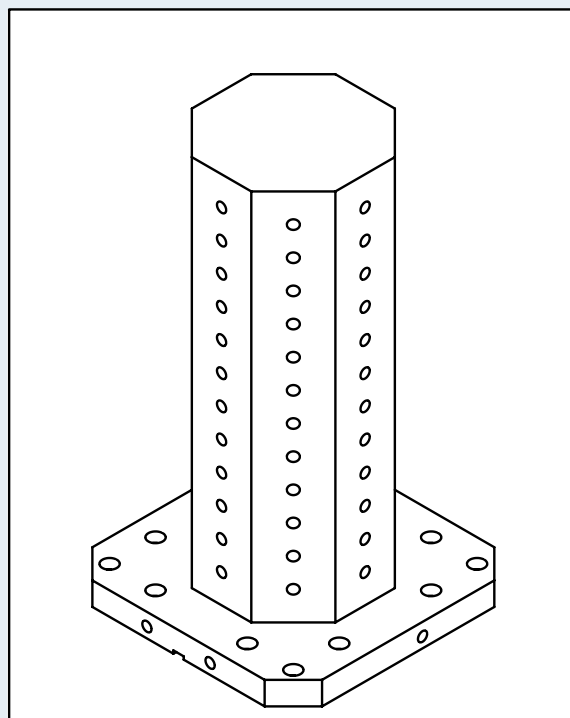
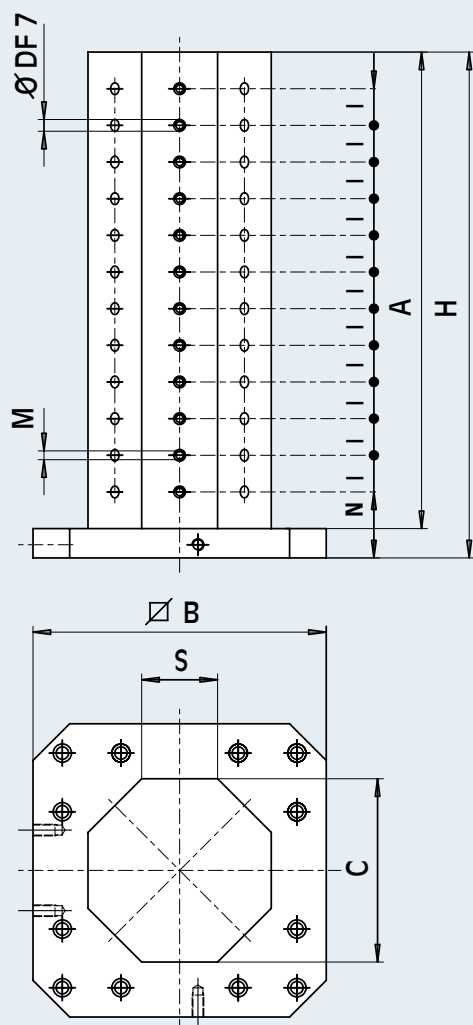
STEEL

Cod..	A mm	B mm	C mm	H mm	S mm	Weight kg
57 00 40 00	650	400	250	690	100	185
57 00 40 10	650	500	250	690	100	213
57 00 40 20	650	630	380	690	155	351

ALUMINIUM

Cod.	A mm	B mm	C mm	H mm	S mm	Weight kg
57 30 40 00	650	400	250	690	100	79
57 30 40 10	650	500	250	690	100	88
57 30 40 20	650	630	380	690	155	138

- special tombstones upon request



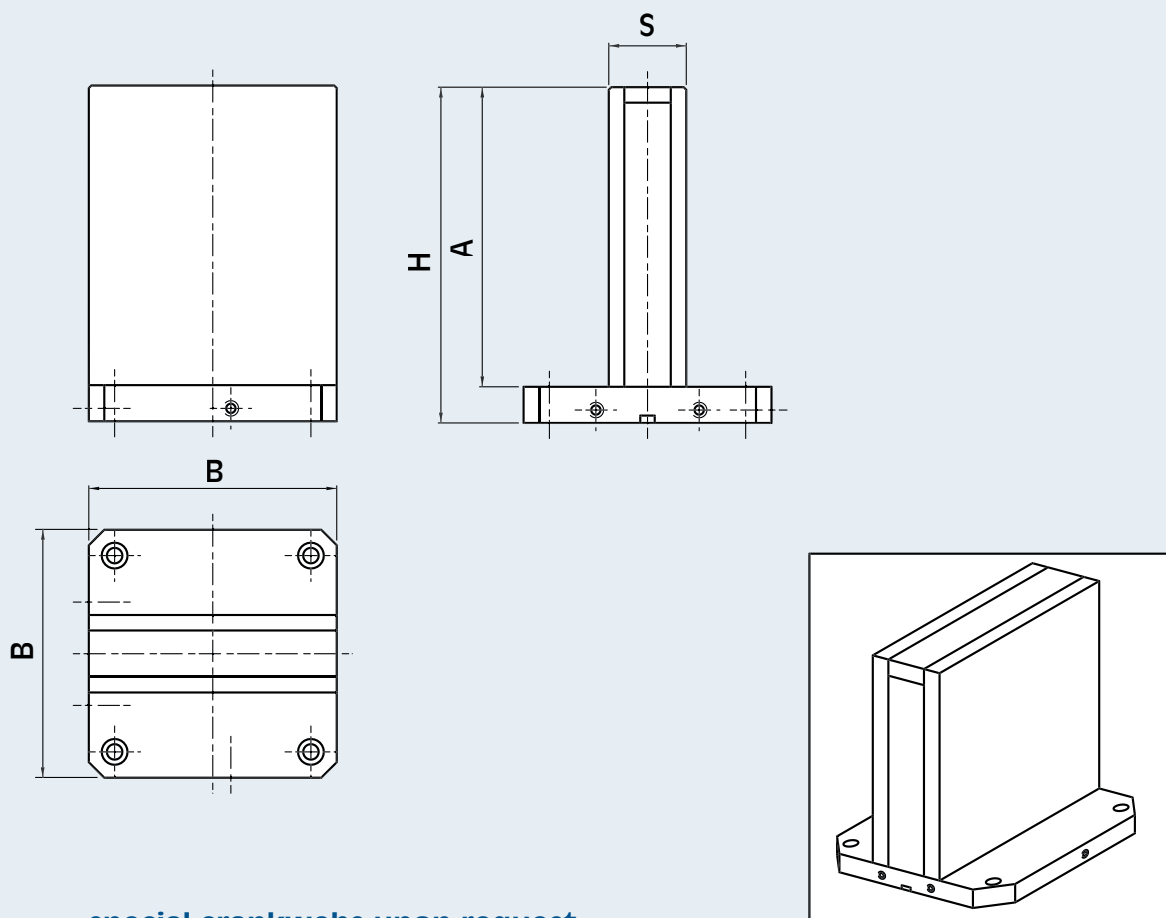
STEEL

Cod.	A mm	B mm	C mm	H mm	Ø D mm	M mm	I mm	N mm	S mm	Weight kg
57 17 30 10	650	400	250	690	16	M 12	50	90	100	181
57 17 30 20	650	500	250	690	16	M 12	50	90	100	209
57 17 30 30	650	630	380	690	16	M 12	50	90	155	339

ALUMINIUM

Cod.	A mm	B mm	C mm	H mm	Ø D mm	M mm	I mm	N mm	S mm	Weight kg
57 33 60 10	650	400	250	690	16	M 12	50	90	100	78
57 33 60 20	650	500	250	690	16	M 12	50	90	100	87
57 33 60 30	650	630	380	690	16	M 12	50	90	155	136

- special tombstones upon request



• special crankwebs upon request

STEEL

ROUGH Cod.	FINISHED Cod.	A mm	B mm	H mm	S mm	Weight kg
57 00 90 01	57 00 90 00	370	320	410	120	106
57 00 90 21	57 00 90 20	520	400	560	150	186
57 00 90 26	57 00 90 25	620	400	660	150	212
57 00 90 41	57 00 90 40	570	500	610	150	259
57 00 90 46	57 00 90 45	660	500	700	150	287
57 00 90 61	57 00 90 60	675	630	720	200	422
57 00 90 66	57 00 90 65	815	630	860	200	482
57 00 90 81	57 00 90 80	845	800	900	260	751
57 00 90 91	57 00 90 90	945	800	1000	260	810

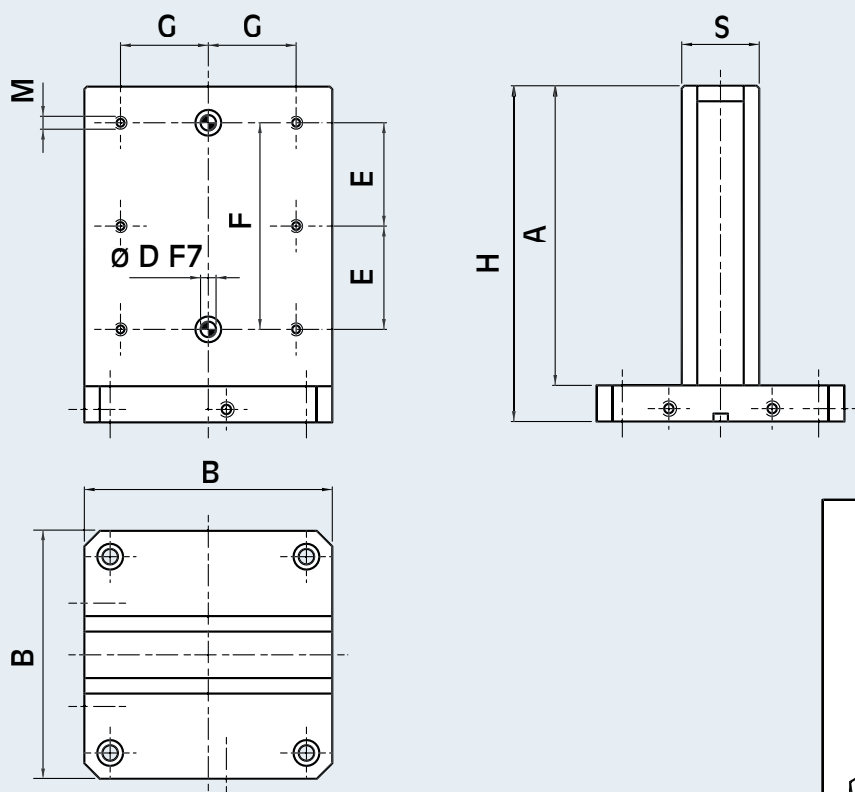
ALUM.

Cod.	A mm	B mm	H mm	S mm	Weight kg
57 30 90 25	620	400	660	150	77
57 30 90 45	660	500	700	150	103
57 30 90 60	675	630	720	200	150
57 30 90 65	815	630	860	200	172

CAST IRON

ROUGH Cod.	FINISHED Cod.	A mm	B mm	H mm	S mm	Weight kg
57 40 90 26	57 40 90 25	615	400	660	150	185
57 40 90 46	57 40 90 45	655	500	700	150	247
57 40 90 66	57 40 90 65	810	630	860	200	448
57 40 90 91	57 40 90 90	945	800	1000	300	810

CRANKWEBS



- special crankwebs upon request

STEEL

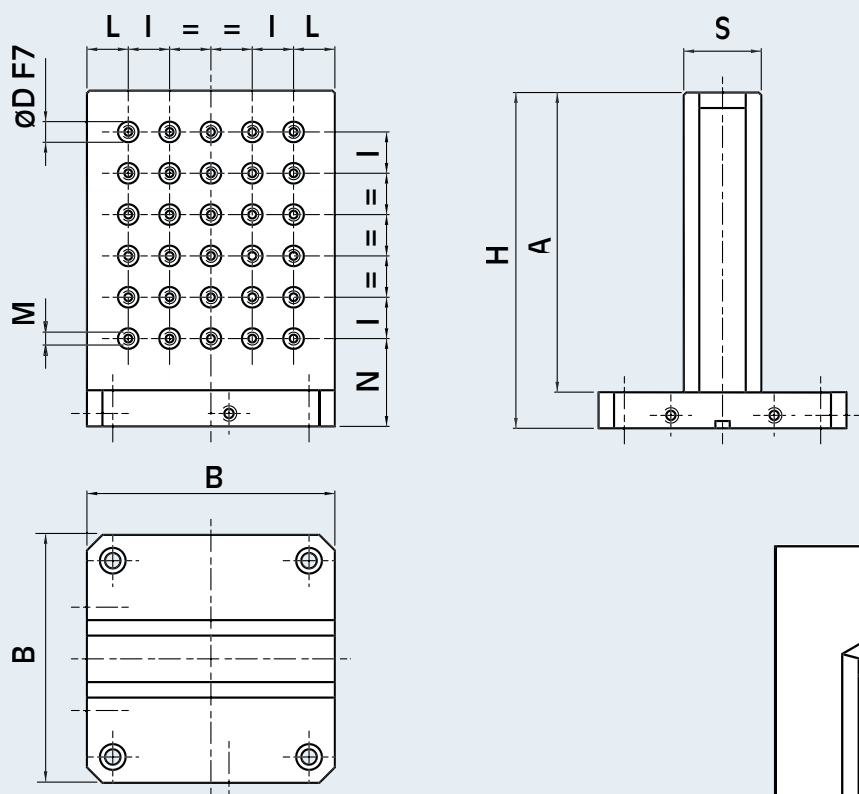
Cod.	A mm	B mm	H mm	Ø D mm	M mm	E mm	F mm	G mm	S mm	Weight kg
57 04 10 10	370	320	410	16	M 12	125	250	100	120	106
57 04 10 30	520	400	560	16	M 12	200	400	150	150	186
57 04 10 35	620	400	660	16	M 12	250	500	150	150	212
57 04 10 50	570	500	610	16	M 12	225	450	200	150	259
57 04 10 55	660	500	700	16	M 12	250	500	200	150	287
57 04 10 70	675	630	720	16	M 12	275	550	250	200	422
57 04 10 75	815	630	860	16	M 12	350	700	250	200	482
57 04 10 90	845	800	900	16	M 12	350	700	350	260	751
57 04 11 00	945	800	1000	16	M 12	100	800	350	260	810

ALUM.

Cod.	A mm	B mm	H mm	Ø D mm	M mm	E mm	F mm	G mm	S mm	Weight kg
57 32 80 35	620	400	660	16	M 12	250	500	150	150	77
57 32 80 55	660	500	700	16	M 12	250	500	200	150	103
57 32 80 70	675	630	720	16	M 12	275	550	250	200	150
57 32 80 75	815	630	860	16	M 12	350	700	250	200	180

CAST IRON

Cod.	A mm	B mm	H mm	Ø D mm	M mm	E mm	F mm	G mm	S mm	Weight kg
57 42 80 35	615	400	660	16	M 12	250	500	150	150	185
57 42 80 55	655	500	700	16	M 12	250	500	200	150	247
57 42 80 75	810	630	860	16	M 12	350	700	250	200	448
57 42 81 00	945	800	1000	16	M 12	400	800	350	300	810



- special crankwebs upon request

STEEL

Cod.	A mm	B mm	H mm	Ø D mm	M mm	I mm	L mm	N mm	S mm	Weight kg
57 04 00 10	370	320	410	16	M 12	50	35	110	120	103
57 04 00 30	520	400	560	16	M 12	50	50	110	150	181
57 04 00 35	620	400	660	16	M 12	50	50	110	150	206
57 04 00 50	570	500	610	16	M 12	50	50	110	150	252
57 04 00 55	660	500	700	16	M 12	50	50	100	150	279
57 04 00 70	675	630	720	16	M 12	50	40	120	200	411
57 04 00 75	815	630	860	16	M 12	50	40	110	200	468
57 04 00 90	845	800	900	16	M 12	50	50	100	260	733
57 04 01 00	945	800	1000	16	M 12	50	50	100	260	787

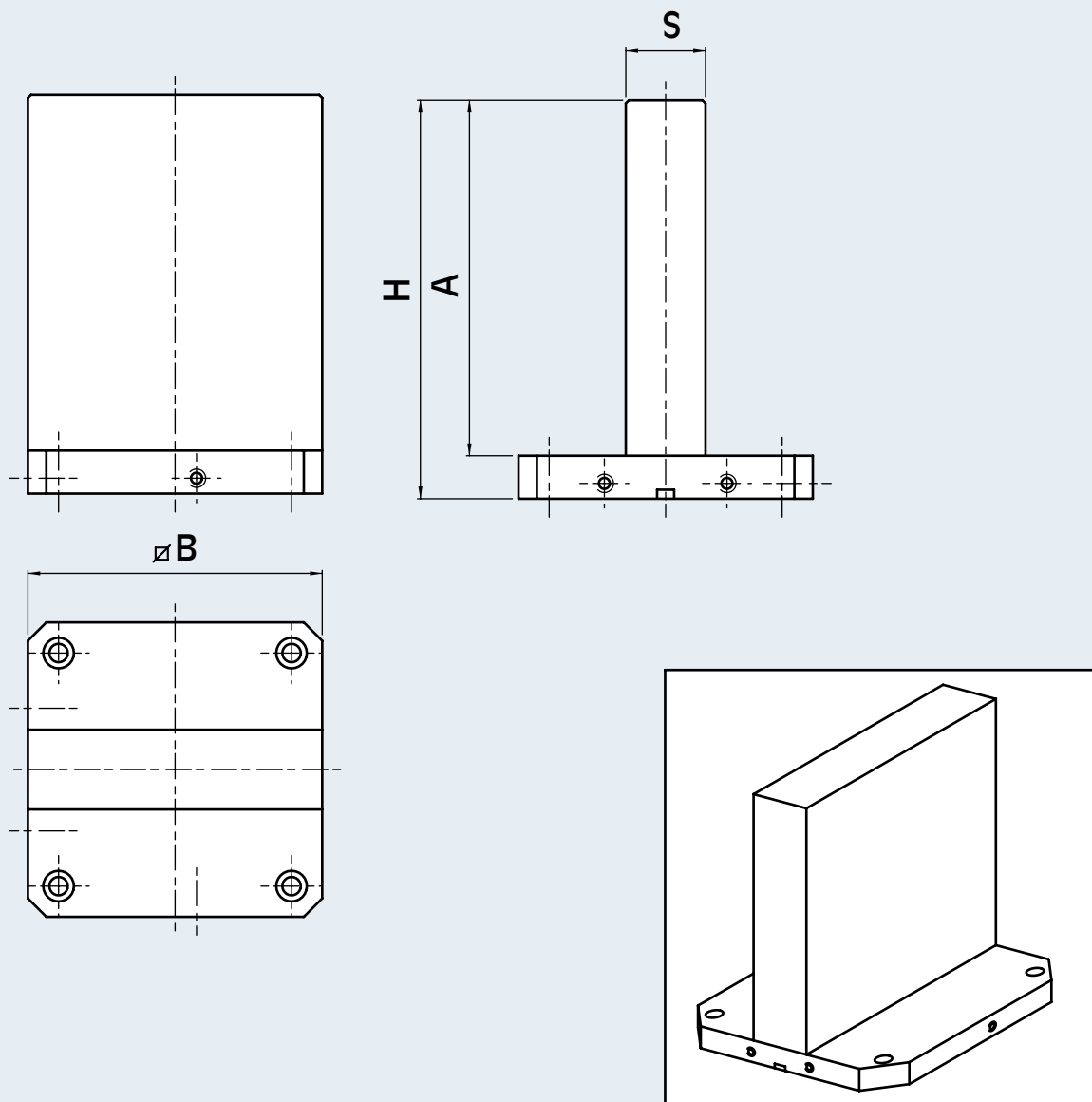
ALUM.

Cod.	A mm	B mm	H mm	Ø D mm	M mm	I mm	L mm	N mm	S mm	Weight kg
57 31 40 35	620	400	660	16	M 12	50	50	110	150	74
57 31 40 55	660	500	700	16	M 12	50	50	100	150	100
57 31 40 70	675	630	720	16	M 12	50	40	120	200	142
57 31 40 75	815	630	860	16	M 12	50	40	110	200	170

CAST IRON

Cod.	A mm	B mm	H mm	Ø D mm	M mm	I mm	L mm	N mm	S mm	Weight kg
57 41 40 35	615	400	660	16	M 12	50	50	110	150	180
57 41 40 55	655	500	700	16	M 12	50	50	100	150	240
57 41 40 75	810	630	860	16	M 12	50	40	110	200	440
57 41 41 00	945	800	1000	16	M 12	50	50	100	300	790

CRANKWEBS full crankwebs only milled



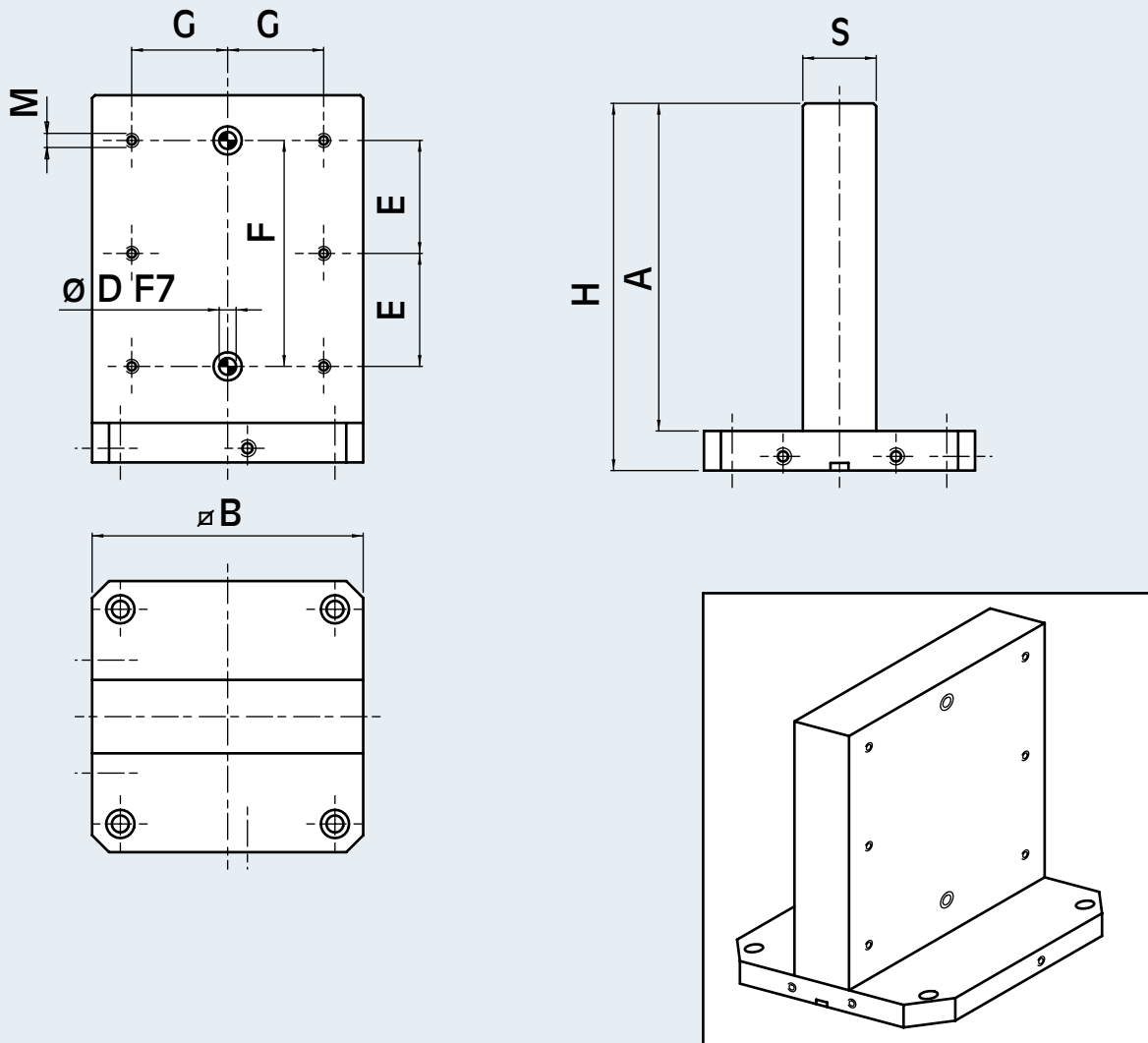
STEEL

Cod.	A mm	B mm	H mm	S mm	Weight kg
57 00 80 30	370	320	410	80	107
57 00 80 40	480	400	520	100	201
57 00 80 50	580	500	620	100	306

ALUM.

Cod.	A mm	B mm	H mm	S mm	Weight kg
57 30 80 20	270	250	310	80	23

- special crankwebs upon request



STEEL

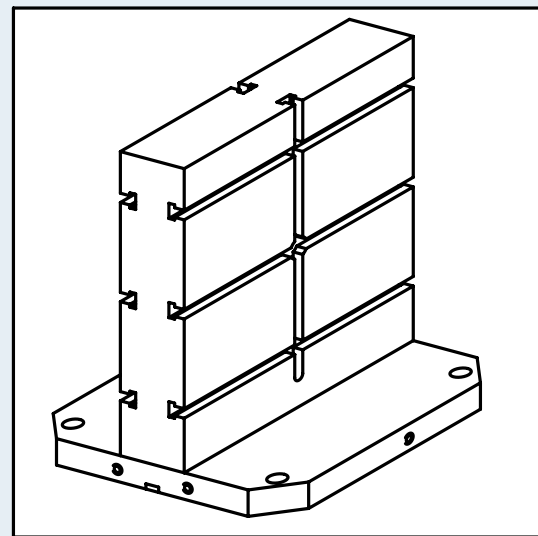
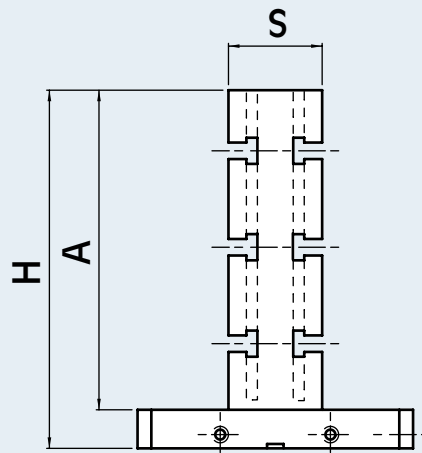
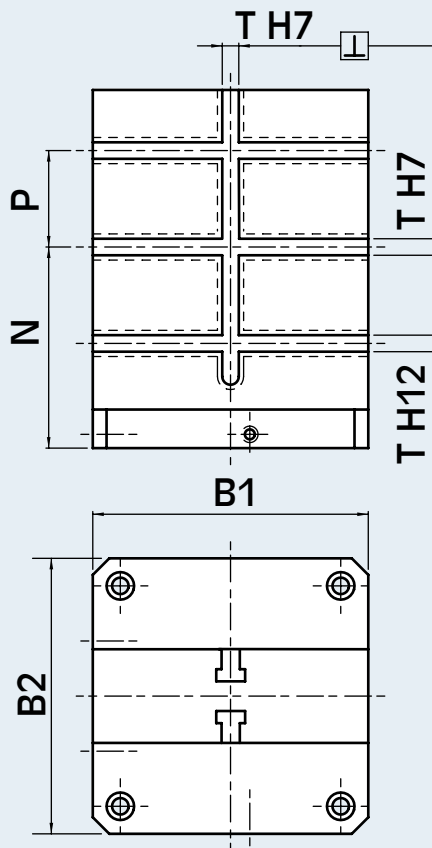
Cod.	A mm	B mm	Ø D mm	M mm	E mm	F mm	G mm	H mm	S mm	Weight kg
57 09 00 40	370	320	16	M 12	125	250	110	410	80	107
57 09 00 50	480	400	16	M 12	175	350	150	520	100	201
57 09 00 60	580	500	16	M 12	225	450	200	620	100	306

ALUMINIUM

Cod.	A mm	B mm	D mm	M mm	E mm	F mm	G mm	H mm	S mm	Weight kg
57 31 90 30	270	250	16	M 12	75	150	75	310	80	23

- special crankwebs upon request

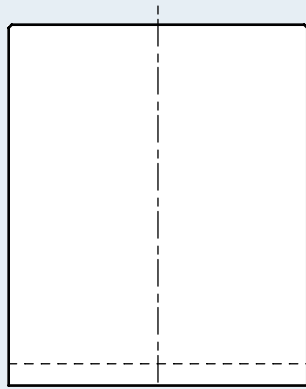
CRANKWEBS full crankwebs with T-slots



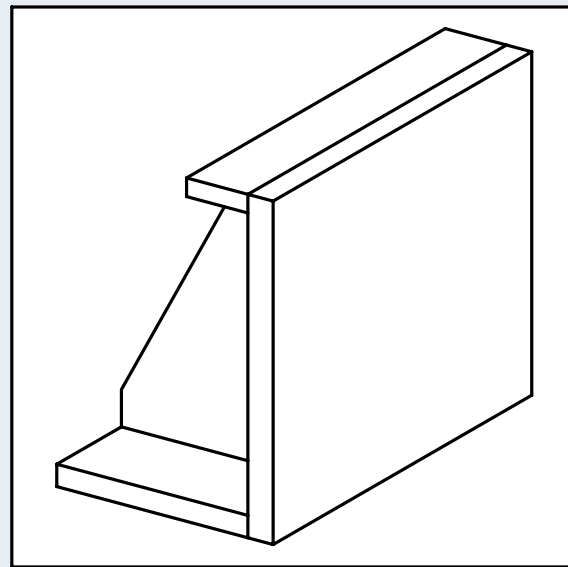
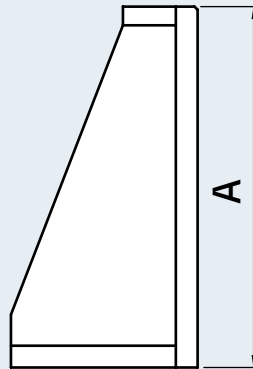
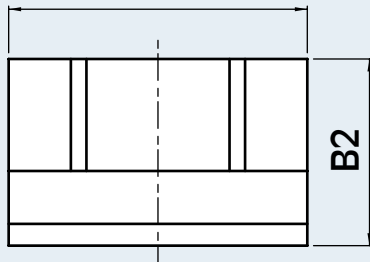
STEEL

Cod.	A mm	B1 mm	B2 mm	H mm	N mm	P mm	S mm	T mm	L mm	Weight kg
57 33 00 40	370	320	320	415	230	125	85	12	0,015	111
57 33 00 50	455	400	400	500	280	150	100	14	0,015	187
57 33 00 60	555	500	500	600	330	180	100	14	0,02	291
57 33 00 70	570	630	550	620	340	200	120	14	0,02	457

- special crankwebs upon request



B1



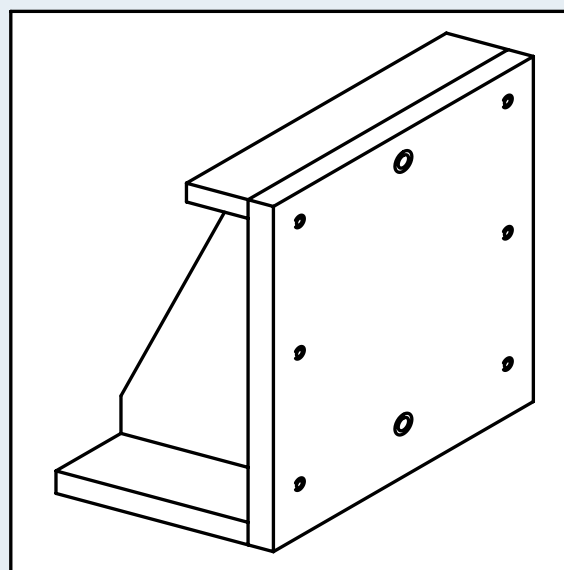
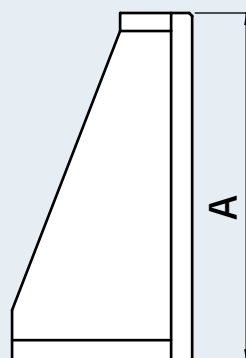
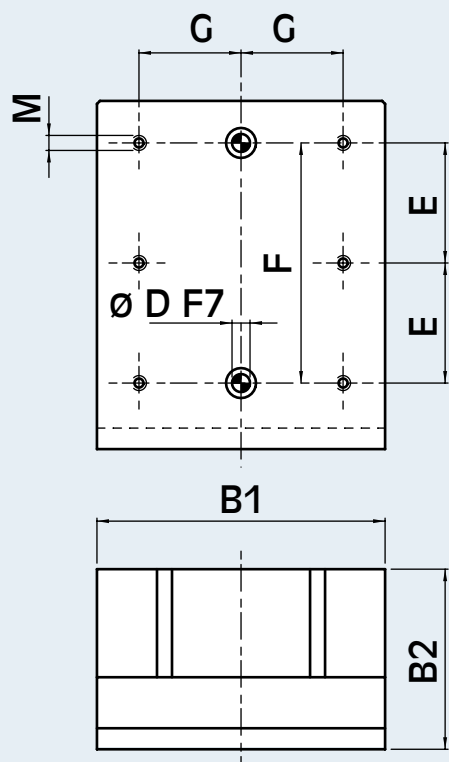
STEEL

Cod.	A mm	B1 mm	B2 mm	Weight kg
57 00 50 30	360	320	230	66
57 00 50 40	460	400	330	130
57 00 50 50	510	400	330	139
57 00 50 60	510	500	330	182
57 00 50 70	560	500	330	196
57 00 50 80	560	630	430	305
57 00 50 90	660	630	430	343

- special angle plates upon request

ANGLE PLATES

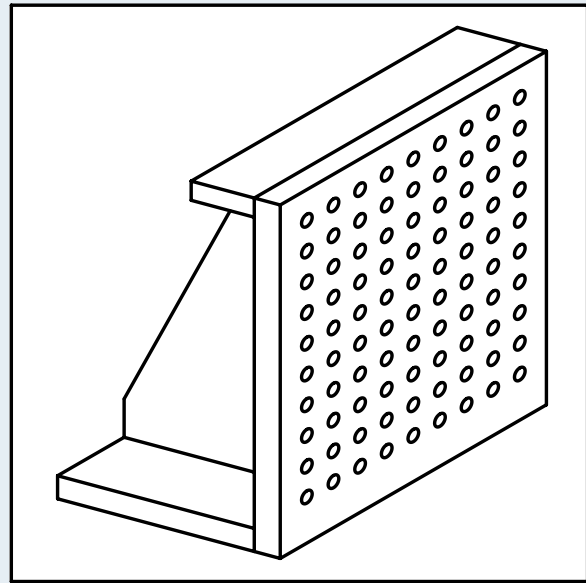
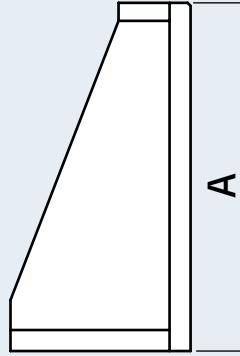
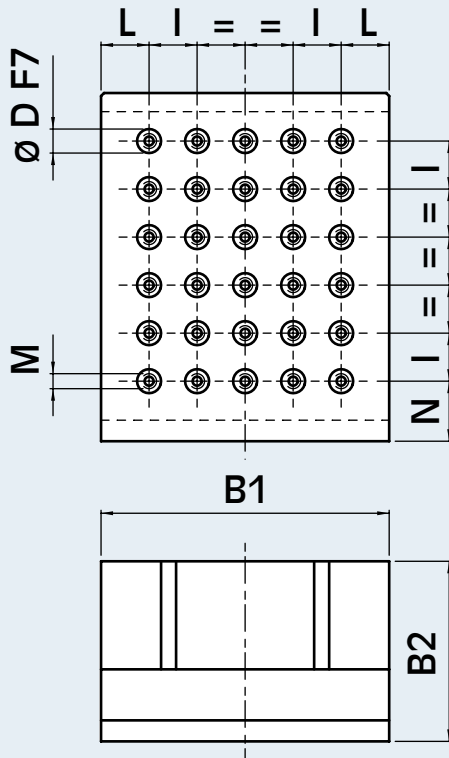
angle plates
for plates



STEEL

Cod.	A mm	B1 mm	B2 mm	Ø D mm	M mm	E mm	F mm	G mm	Weight kg
57 10 00 40	360	320	230	16	M 12	125	250	100	66
57 10 00 50	460	400	330	16	M 12	175	350	150	130
57 10 00 60	510	400	330	16	M 12	200	400	150	139
57 10 00 70	510	500	330	16	M 12	200	400	200	182
57 10 00 80	560	500	330	16	M 12	225	450	200	196
57 10 00 90	560	630	430	16	M 12	225	450	250	305
57 10 01 00	660	630	430	16	M 12	275	550	250	343

• special angle plates upon request



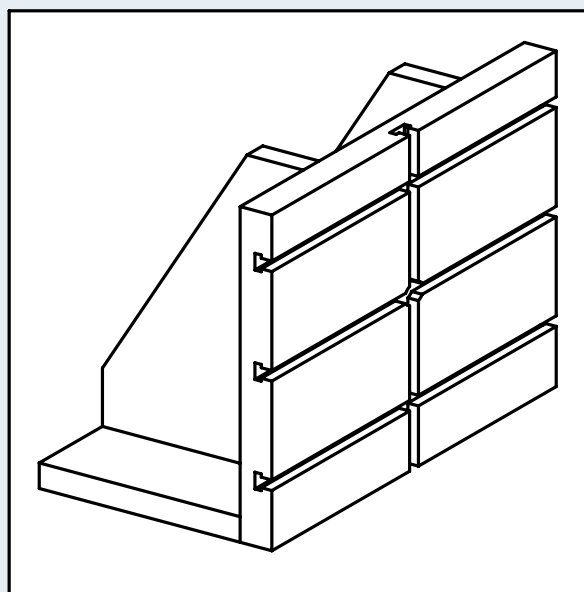
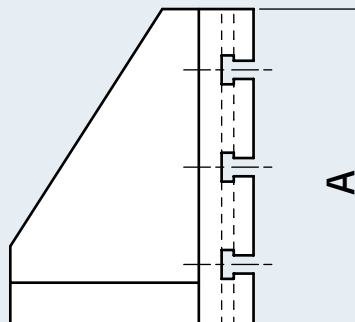
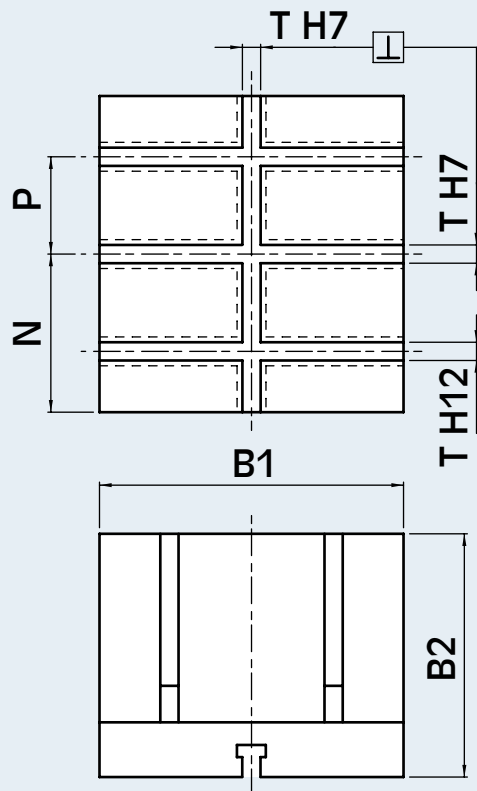
STEEL

Cod.	A mm	B1 mm	B2 mm	∅ D mm	M mm	I mm	L mm	N mm	Weight kg
57 11 00 40	360	320	230	16	M 12	50	35	60	65
57 11 00 50	460	400	330	16	M 12	50	50	60	129
57 11 00 60	510	400	330	16	M 12	50	50	60	137
57 11 00 70	510	500	330	16	M 12	50	50	60	180
57 11 00 80	560	500	330	16	M 12	50	50	60	193
57 11 00 90	560	630	430	16	M 12	50	40	60	302
57 11 01 00	660	630	430	16	M 12	50	40	60	339

- special angle plates upon request

ANGLE PLATES

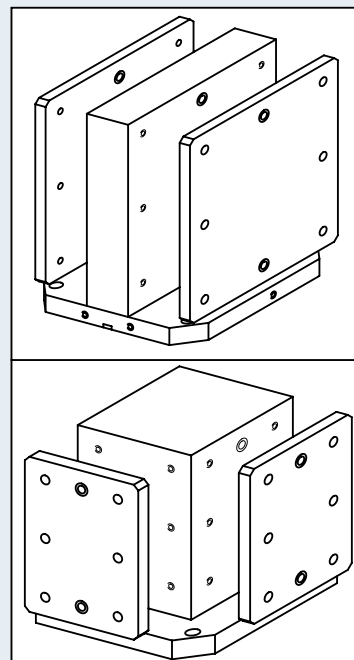
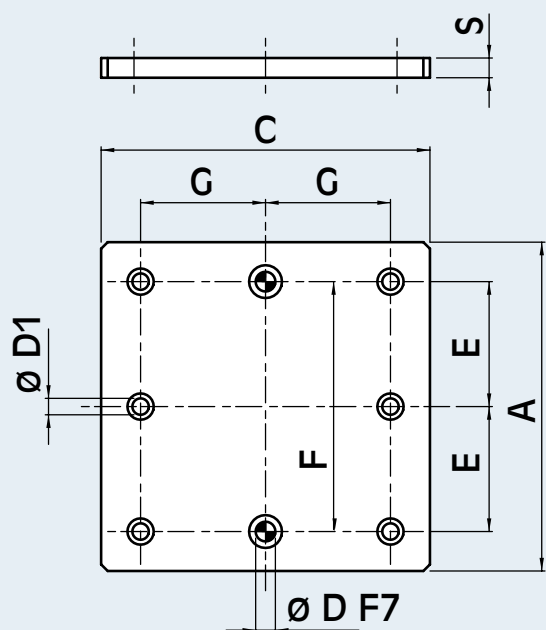
angle plates
with T-slots



STEEL

Cod.	A mm	B1 mm	B2 mm	N mm	P mm	T mm	⊥ mm	Weight kg
57 27 00 10	360	350	230	180	120	12	0,01	76
57 27 00 20	500	350	330	250	160	12	0,02	125
57 27 00 30	460	450	330	230	150	12	0,02	145
57 27 00 40	600	450	330	300	190	14	0,025	176
57 27 00 50	350	500	230	175	100	14	0,02	102
57 27 00 60	500	550	330	250	160	14	0,02	197
57 27 00 70	800	550	400	400	260	14	0,025	318
57 27 00 80	450	600	330	225	130	16	0,02	193

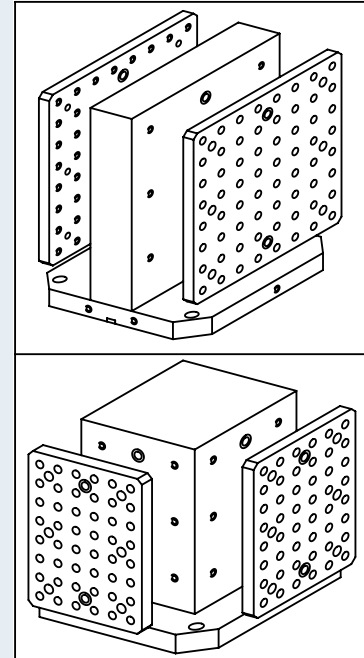
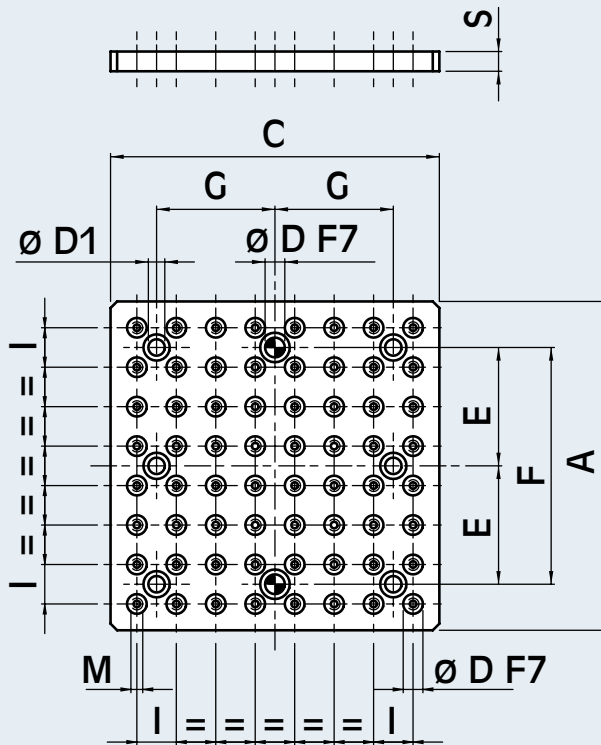
- special angle plates upon request



STEEL

Cod.	C mm	A mm	Ø D mm	Ø D1 mm	E mm	F mm	G mm	S mm	weight kg
57 12 00 25	160	400	12	11	150	300	40	20	10
57 12 00 45	200	400	12	11	150	300	60	20	12,5
57 12 00 50	250	250	16	13	75	150	75	25	12
57 12 00 70	250	400	16	13	150	300	75	25	19
57 12 00 90	250	600	16	13	250	500	75	25	29
57 12 01 00	320	350	16	13	125	250	100	25	22
57 12 01 20	350	500	16	13	200	400	125	25	34
57 12 01 30	350	600	16	13	250	500	125	25	41
57 12 01 40	400	450	16	13	175	350	150	25	35
57 12 01 50	400	500	16	13	200	400	150	25	39
57 12 01 55	400	600	16	13	250	500	150	25	47
57 12 01 60	450	500	16	13	200	400	175	25	44
57 12 01 70	450	600	16	13	250	500	175	25	53
57 12 01 75	450	800	16	13	350	700	175	25	70,5
57 12 01 80	500	500	16	13	200	400	200	25	49
57 12 01 90	500	550	16	13	225	450	200	25	54
57 12 01 95	500	600	16	13	250	500	200	25	58,5
57 12 02 00	550	600	16	13	250	500	225	25	64
57 12 02 10	550	800	16	13	350	700	225	25	86
57 12 02 20	630	550	16	13	225	450	250	25	68
57 12 02 30	630	650	16	13	275	550	250	25	80
57 12 02 35	630	800	16	13	350	700	250	25	98,5
57 12 02 40	800	600	16	13	250	500	350	30	112
57 12 02 50	800	800	16	13	350	700	350	30	149

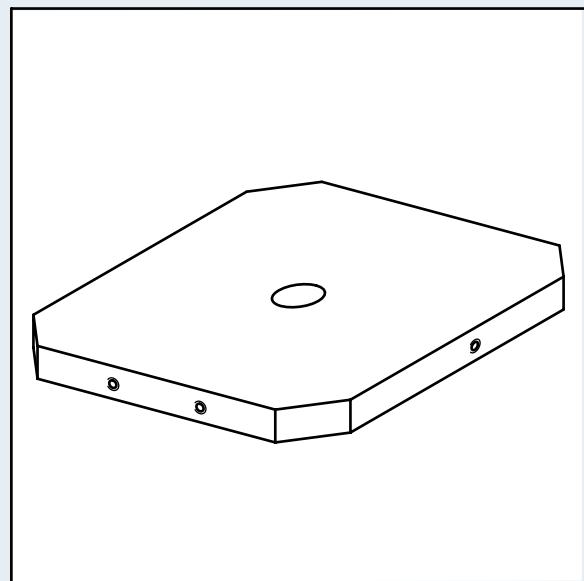
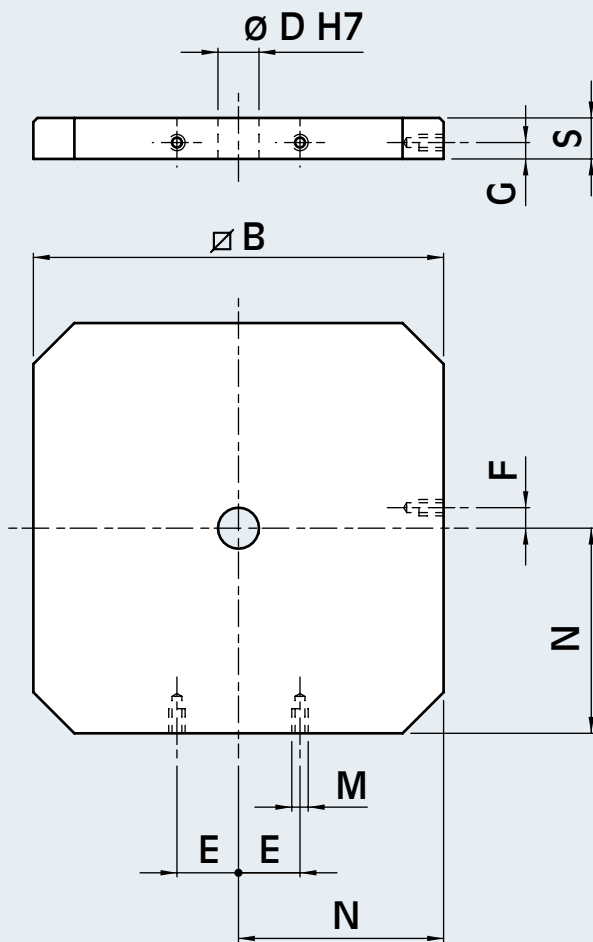
• special plates upon request



STEEL

Cod.	C mm	A mm	$\varnothing D$ mm	$\varnothing D1$ mm	M mm	E mm	F mm	G mm	I mm	S mm	Weight kg
57 05 00 25	160	400	12	11	M 10	150	300	40	40	30	15
57 05 00 45	200	400	12	11	M 10	150	300	60	40	30	17
57 05 00 50	250	250	16	13	M 12	75	150	75	50	35	16
57 05 00 70	250	400	16	13	M 12	150	300	75	50	35	26
57 05 00 90	250	600	16	13	M 12	250	500	75	50	35	39
57 05 01 00	320	350	16	13	M 12	125	250	100	50	35	29
57 05 01 20	350	500	16	13	M 12	200	400	125	50	35	46
57 05 01 30	350	600	16	13	M 12	250	500	125	50	35	55
57 05 01 40	400	450	16	13	M 12	175	350	150	50	35	47
57 05 01 50	400	500	16	13	M 12	200	400	150	50	35	52
57 05 01 55	400	600	16	13	M 12	250	500	150	50	35	63
57 05 01 60	450	500	16	13	M 12	200	400	175	50	35	58
57 05 01 70	450	600	16	13	M 12	250	500	175	50	35	70
57 05 01 75	450	800	16	13	M 12	350	700	175	50	35	95
57 05 01 80	500	500	16	13	M 12	200	400	200	50	35	65
57 05 01 90	500	550	16	13	M 12	225	450	200	50	35	71
57 05 01 95	500	600	16	13	M 12	250	500	200	50	35	78
57 05 02 00	550	600	16	13	M 12	250	500	225	50	35	85
57 05 02 10	550	800	16	13	M 12	350	700	225	50	35	114
57 05 02 20	630	550	16	13	M 12	225	450	250	50	35	90
57 05 02 30	630	650	16	13	M 12	275	550	250	50	35	106
57 05 02 35	630	800	16	13	M 12	350	700	250	50	35	131
57 05 02 40	800	600	16	13	M 12	250	500	350	50	35	125
57 05 02 50	800	800	16	13	M 12	350	700	350	50	35	166

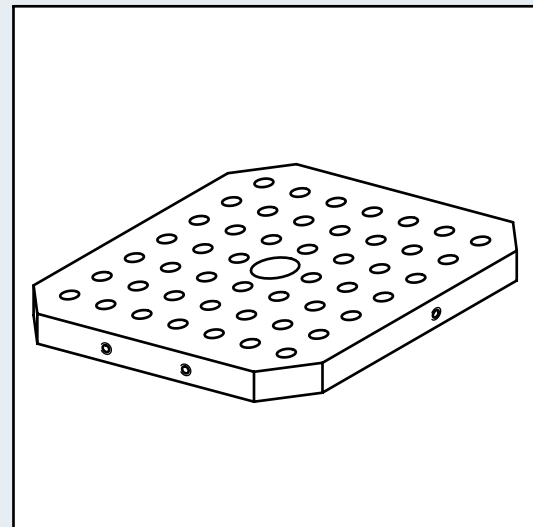
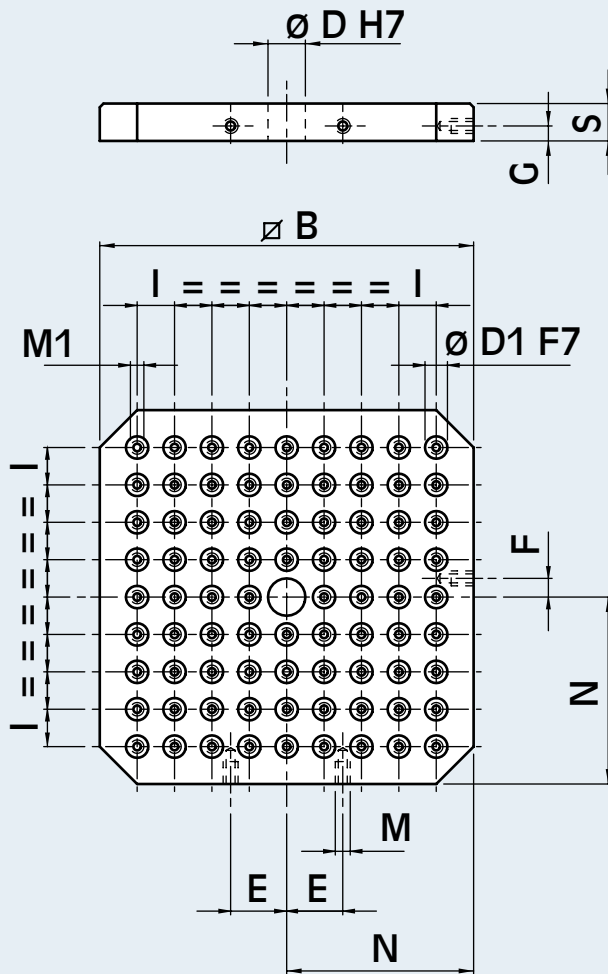
• special plates upon request



STEEL

Cod.	B mm	$\varnothing D$ mm	M mm	N mm	E mm	F mm	G mm	S mm	Weight kg
57 13 00 10	320	30	-	160	-	-	-	40	30
57 13 00 20	400	50	M 16	200	55	25	18	40	48
57 13 00 30	450	50	-	225	-	-	-	40	61
57 13 00 40	500	50	M 16	250	75	25	18	40	76
57 13 00 50	550	50	-	275	-	-	-	40	93
57 13 00 60	630	50	M 16	315	100	25	18	40	121

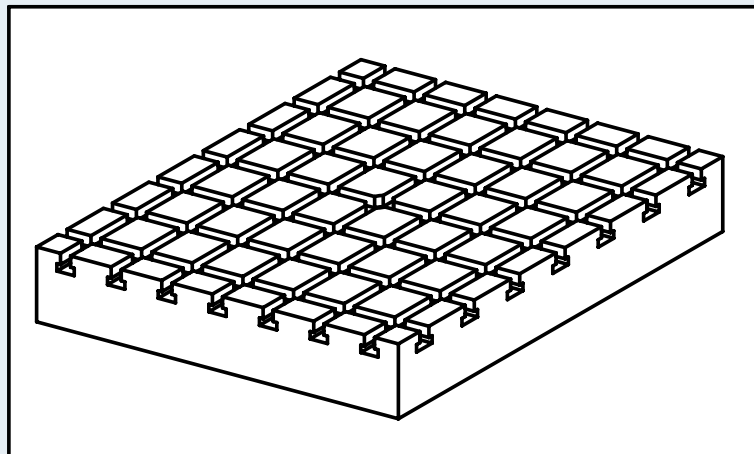
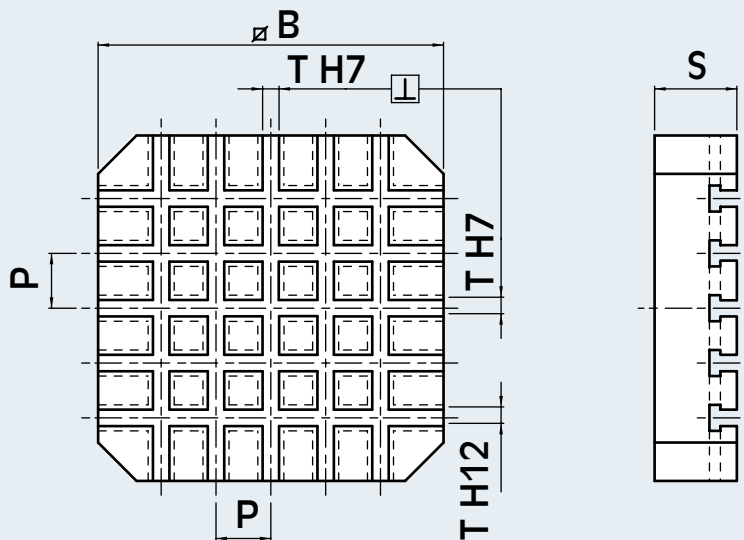
• special subplates upon request



STEEL

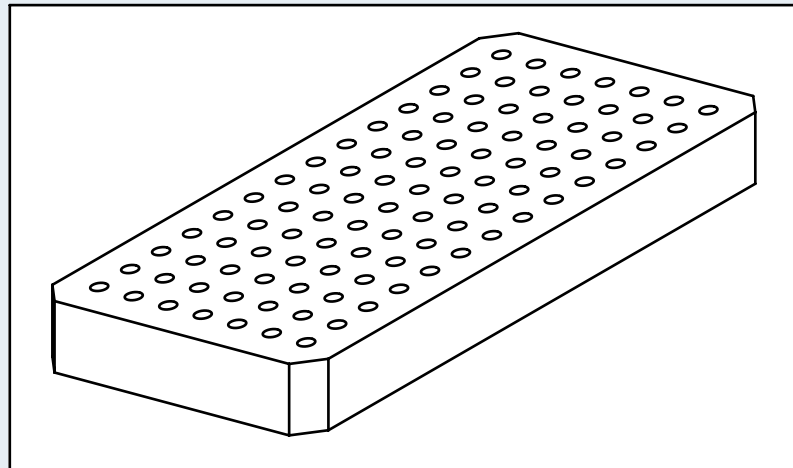
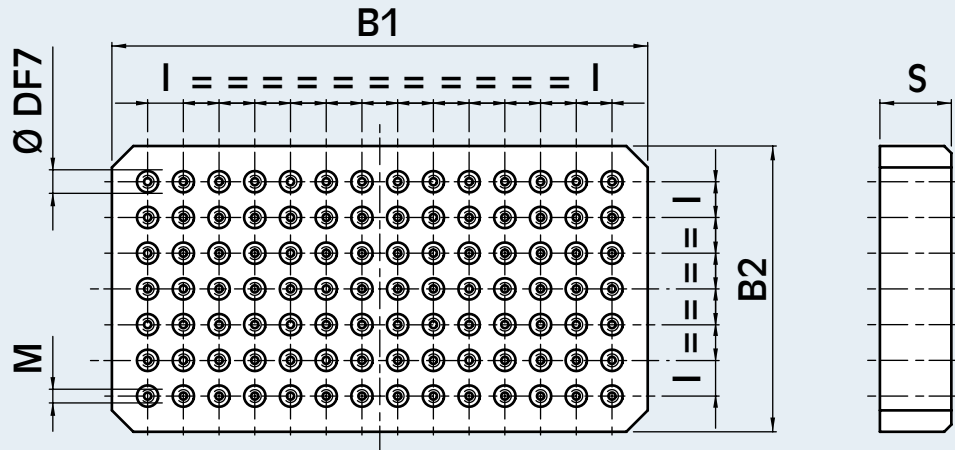
Cod.	B mm	$\varnothing D$ mm	M mm	E mm	F mm	C mm	$\varnothing D1$ mm	M1 mm	I mm	N mm	S mm	Weight kg
57 14 00 10	320	30	-	-	-	-	16	M 12	50	160	40	29
57 14 00 20	400	50	M 16	55	25	18	16	M 12	50	200	40	47
57 14 00 30	450	50	-	-	-	-	16	M 12	50	225	40	59
57 14 00 40	500	50	M 16	75	25	18	16	M 12	50	250	40	74
57 14 00 50	550	50	-	-	-	-	16	M 12	50	275	40	90
57 14 00 60	630	50	M 16	100	25	18	16	M 12	50	315	40	117

- special subplates upon request



STEEL

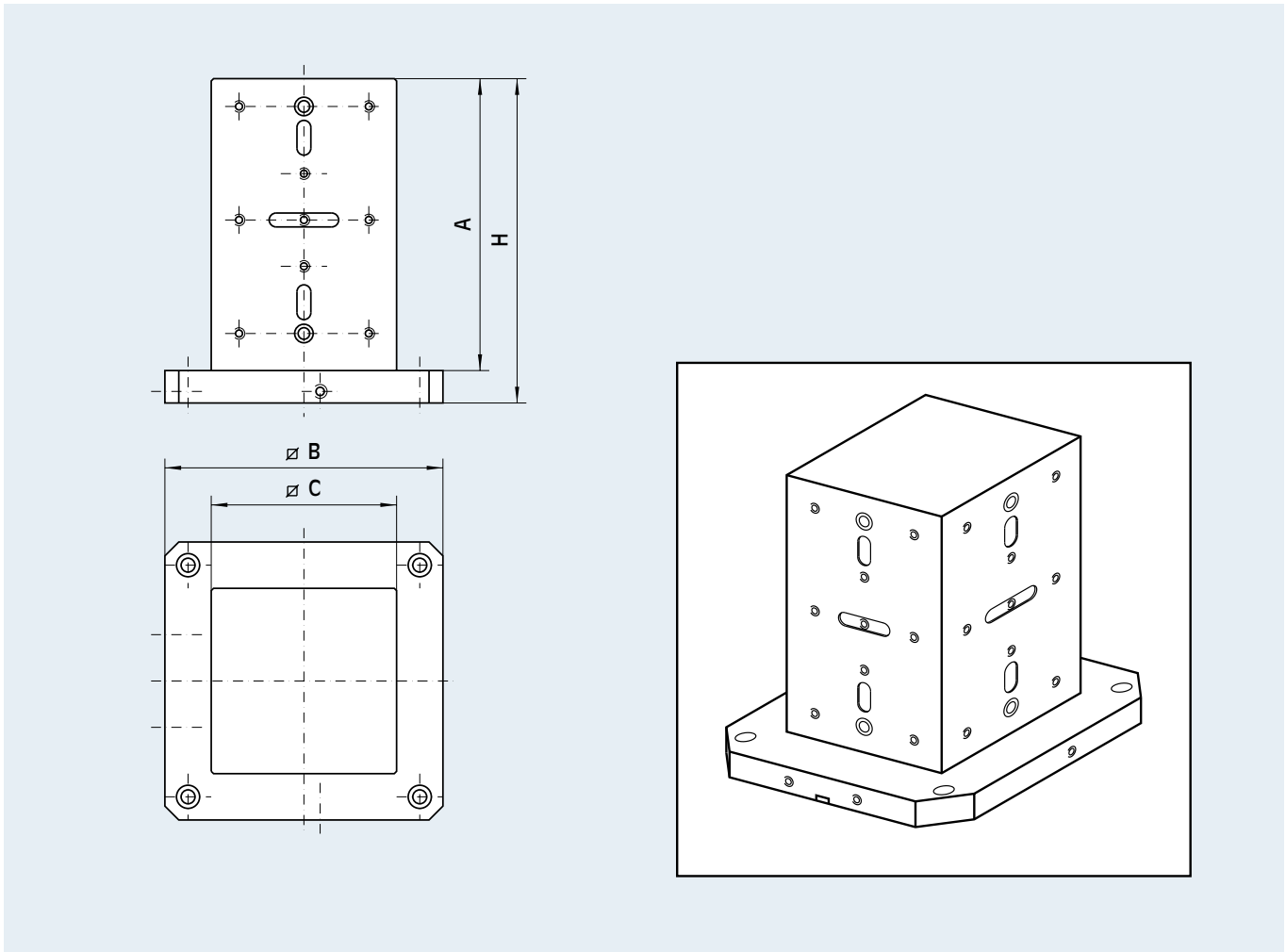
Cod.	B mm	P mm	S mm	T mm	L mm	Weight kg
57 34 00 10	400	56	80	12	0,015	85
57 34 00 20	450	65	100	14	0,015	137
57 34 00 30	500	70	100	14	0,02	171
57 34 00 40	550	80	100	14	0,02	210
57 34 00 50	630	100	100	14	0,025	284



STEEL

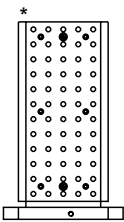
Cod.	B1 mm	B2 mm	Ø D mm	M mm	I mm	S mm	Weight kg
57 01 00 10	550	300	16	M 12	50	100	127
57 01 00 20	750	400	16	M 12	50	100	230
57 01 00 30	1000	500	16	M 12	50	100	384

- special subplates upon request

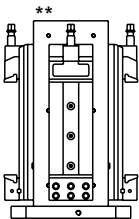


STEEL

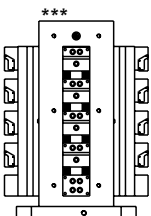
Cod.	A mm	B mm	C mm	H mm	Weight kg
57 22 00 10	* 620	400	250	660	205
57 22 00 20	** 660	500	350	700	318
57 22 00 30	*** 815	630	450	860	524



for plates; for vices TC 150x300 for CIVI 2000
38 mm/60 mm/90 mm, lenght: L. 500 mm



for plates; for vices TC 150x300 for CIVI 2000
38 mm/60 mm/90 mm, lenght: L. 630 mm



for plates; for vices TC 150x545 for CIVI 2000
38 mm/60 mm/90 mm, lenght: L. 630 mm

